

Cobra **FT**



INSTRUCTION MANUAL
& REFERENCE GUIDE



Welcome to the Serpent owners network !

By buying the Cobra GT, you have become part of the fast growing base of Serpent drivers around the world, active in most classes of rc car racing. Serpent racers share their knowledge and experiences on the tracks and on the internet, so join in!

The Serpent Cobra GT is a high-end racing car, for competition purposes. The Serpent Cobra GT offers state of the art specifications and leads the way in 1/8 scale gas on-road chassis design, using all the knowledge our designers have gathered from racing on-road cars for over 30 years, into this design too. Continuously pushing the performance envelope. Designed, tested and raced by Billy Easton, USA. World Champion.

All information about the Serpent Cobra GT is accessible from the Serpent Cobra GT product page which can be found on **Serpent.com** and can be accessed by simply typing **serpent.com/600040** into your web browsers address bar.

From the Serpent Cobra GT product page you will find the very latest information about your car: reports by team drivers and other experts, tips and tricks, setups, image gallery and downloadable files including the latest version of the instruction manual is available as downloadable PDF-files.

Enjoy assembly, preparations and racing !

Team Serpent



CONTENTS

- 3. Safety / service / how to use manual
- 4. Differential assembly
- 5. Gearbox assembly
- 6. Chassis assembly
- 19. Clutch assembly
- 20. Radioplate assembly
- 22. Shocks assembly
- 24. Final assembly
- 26. Partslist
- 30. Exploded views

Safety / service / how to use manual

Safety

Read and take note of the 'Read this First section' before proceeding to assemble the car-kit. This car-kit is intended for persons aged 16 or older.

Customer service

Serpent has made a strong effort to make this manual as complete and clear as possible. Additional info may be published in our website:

www.serpent.com or you may ask your dealer or the Serpent distributor for advice, or email Serpent direct: info@serpent.com
The Serpent Facebook, Twitter and Youtube pages give additional means of support and communications.

Instructions, how to use

The kit includes bags, with bagnumbers, which refer to the same step in the manual. Open only the indicated bag(s) per step and finish that part of the assembly. Remaining parts will be needed later on in the assembly process.

Instructions

Serpent's long tradition of excellence extends to the instruction manuals, and this instruction manual is no exception. The easy-to-follow layout is richly illustrated with 3D-rendered full-color images to make your building experience quick and easy. Following the instructions will result in a well-built, high-performance race-car that will soon be able to unleash its full potential at the racetrack.

SETUP

In certain assembly steps you need to make basic adjustments, which will give you a good initial setup for your Serpent S811-GT. Fine-tuning the initial setup is an essential part of building a high-performance racecar like your S811-GT.

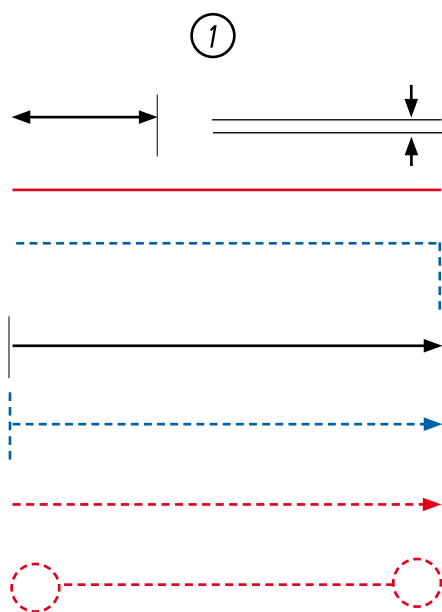
Exploded views and partslist

The exploded views and parts lists for the Serpent S811-GT are presented in the Reference Guide section in the back of this manual. The exploded views show all the parts of a particular assembly step along with the Serpent part number. The parts lists indicate the part number and name of each part for easy reference when ordering.

Read this first!

- This is a highly technical hobby product, intended to be used in a safe racing environment. This car is capable of speeds in excess of 80 km/h or 50mph. Please follow these guidelines when building and operating this model.
- Parental guidance is required when the builder/user of this car is under 16.
- Follow the building instructions. If in doubt, contact your dealer or importer.
- Be sure to use the proper tools when assembling the car. Always exercise caution when using electric tools, knives and other sharp objects.
- Be careful when using liquids like lubrication oil, fuel or glue. Do not swallow.
- Follow the manufacturer's instruction in case you experience irritation after using the product.
- Be careful when operating the car. Stay away from any rotating parts such as wheels, gears and transmission. Stay away from motor, engine and exhaust pipe system or speedo during and immediately after use, as these parts may be very hot. We advise to use protective hand gloves.
- Only operate this car in a safe environment, like a special racing track or a closed parking lot. Avoid using this car on public roads, crowded places or near infants.
- Before operating this car, always check the mechanical status of the car. Also check that the transmitter and receiver frequencies correspond and are not used by any other racer at the same time. Check that the batteries of the transmitter and receiver- are fully charged.
- After use, always check all the mechanics of the car. We advise to clean the car immediately after use, and inspect the parts for wear or fractures. Replace when necessary. Do not use water, methanol, thinner or other solvents to clean the car.
- Empty the fuel tank (depending on model) if needed and disconnect the receiver battery.
- Store the car in a dry and heated place to avoid corrosion of metal parts.
- Avoid using this car in wet conditions as the water will cause corrosion on the metal parts and bearings and these parts will cease to function properly. If driven in the wet, ensure that all the electric equipment is waterproofed and after use, that all moving parts are dried immediately.

USING THE MANUAL



Step number; the order in which you should assemble the indicated parts

Length after assembly / Gap between two items

Assembly path of one item into another

Group of items (within lines) should be assembled first

Direction the item should be moved

Glue one item to another

Press/Insert one item into another

Connect one item to another



Apply transmission grease (Grey) included



CA Glue* (Red) NOT included



Threadlock* (Blue) NOT included



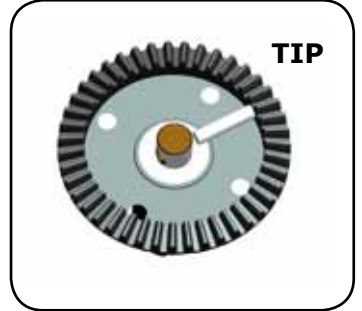
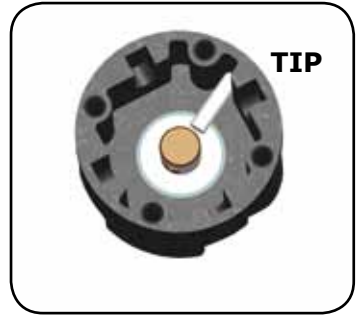
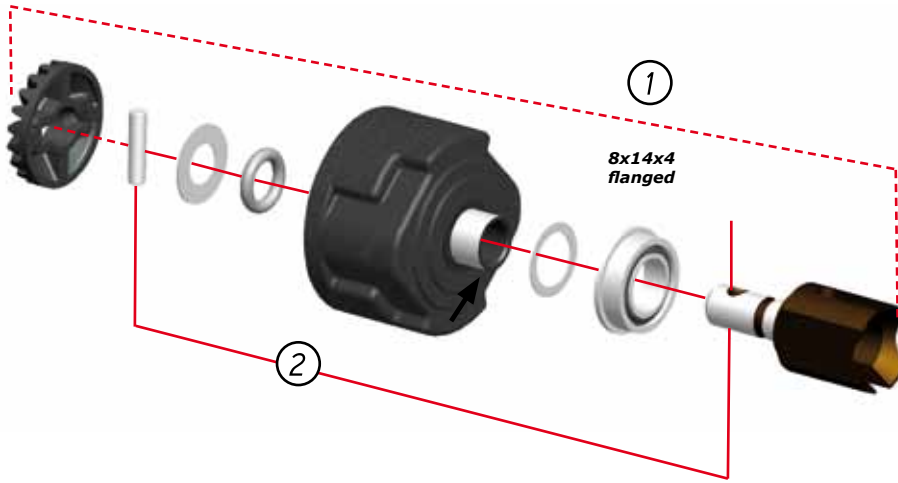
Apply silicone oil included

DIFFERENTIAL FRONT/REAR

A

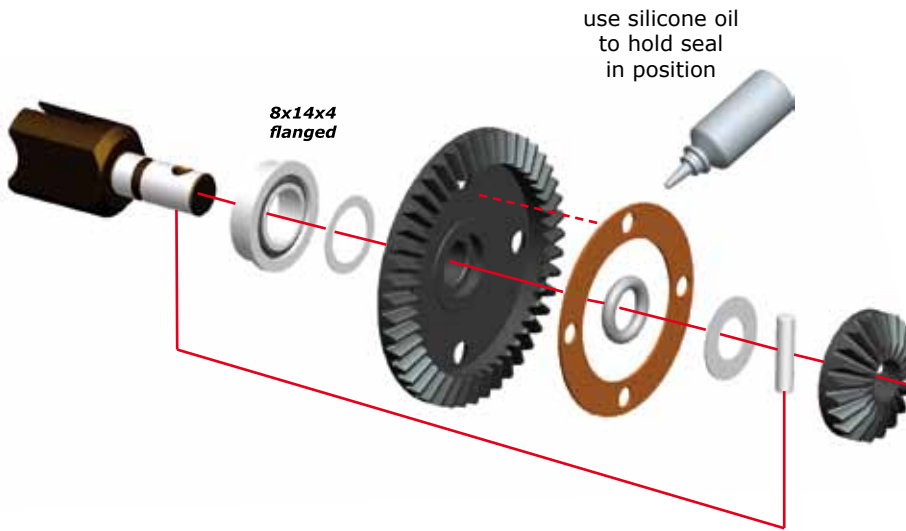
1

FR/RR
DIFF
BAG



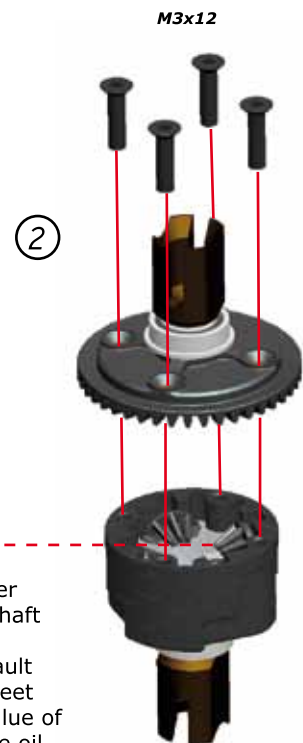
A

2



A

3



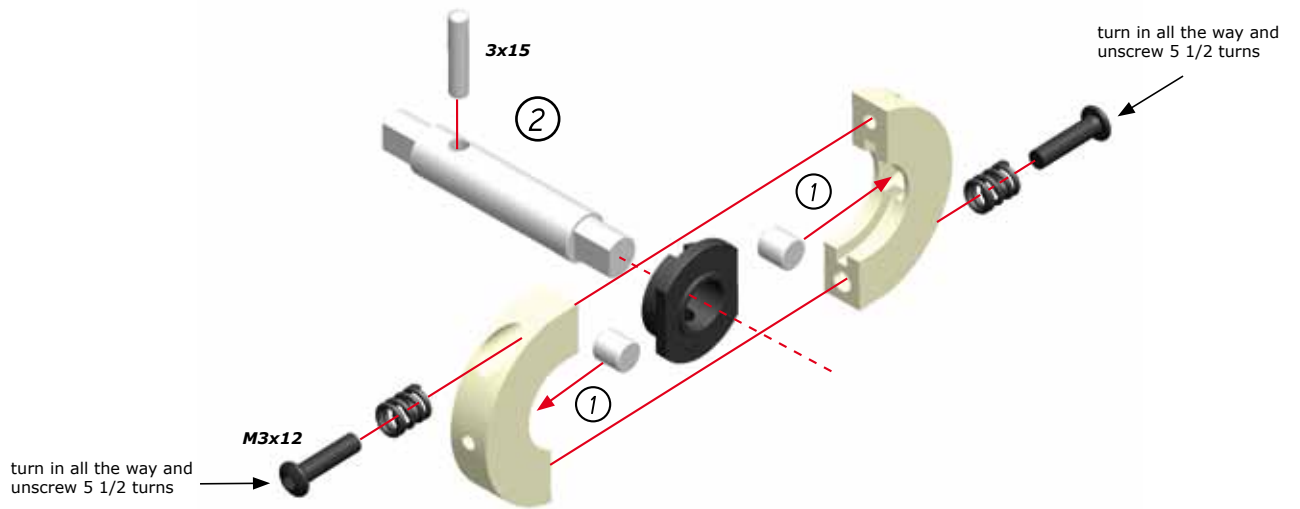
4

GEARBOX ASSEMBLY

A

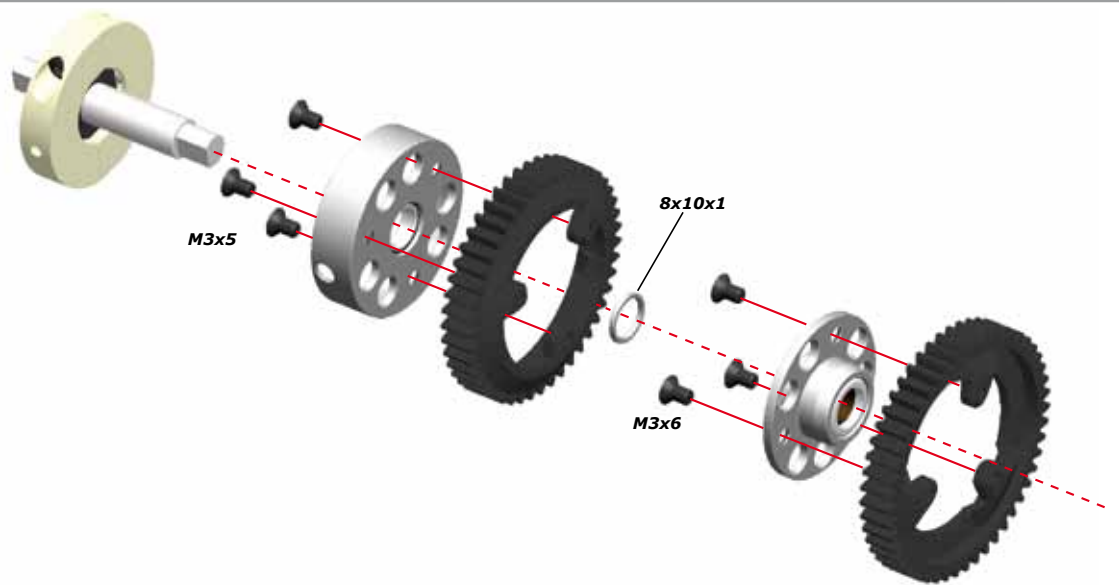
4

BAG
1



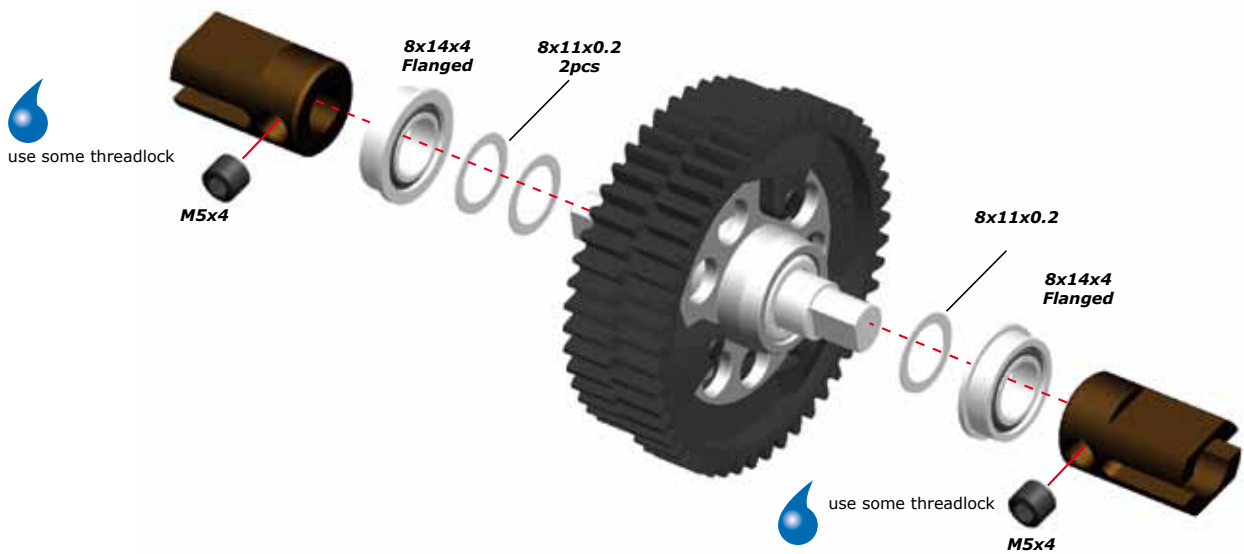
A

5



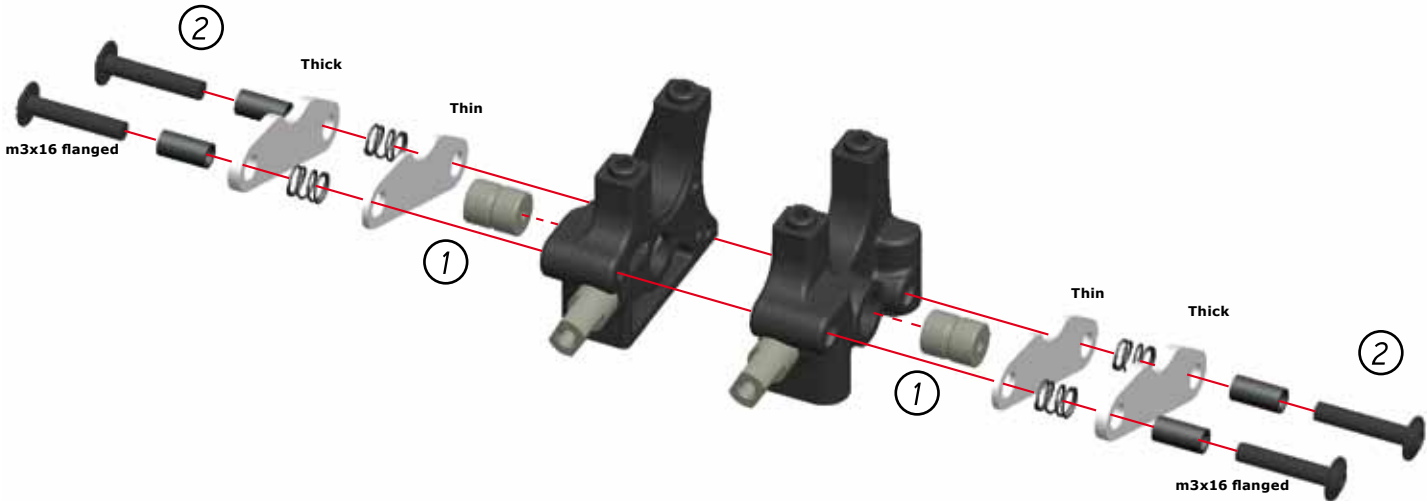
A

6



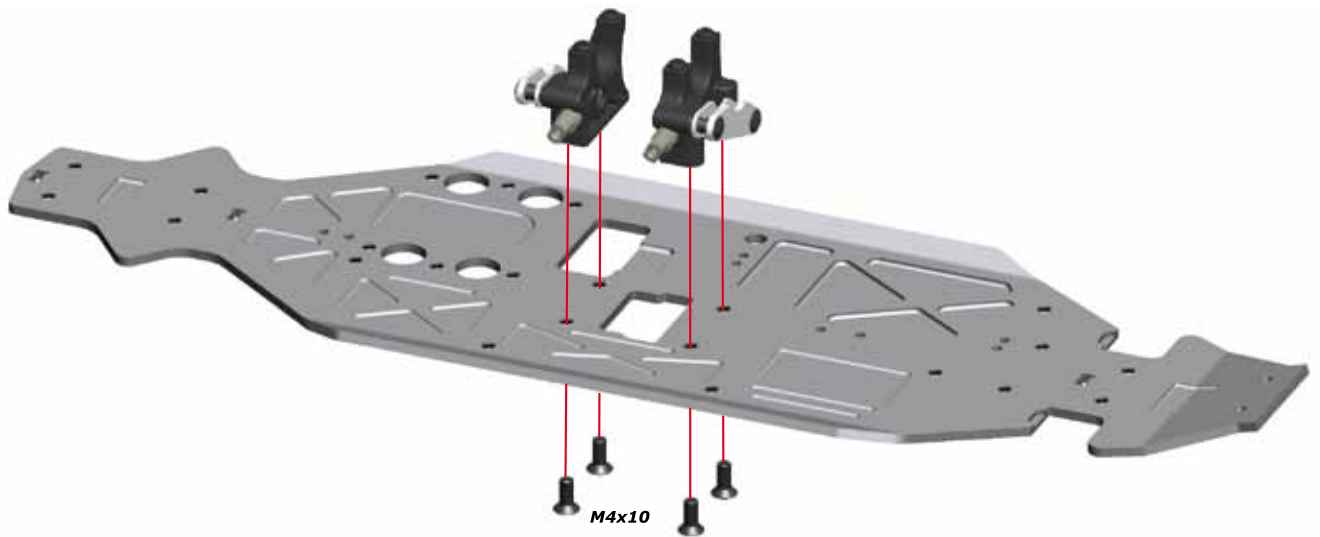
A CHASSIS ASSEMBLY

7



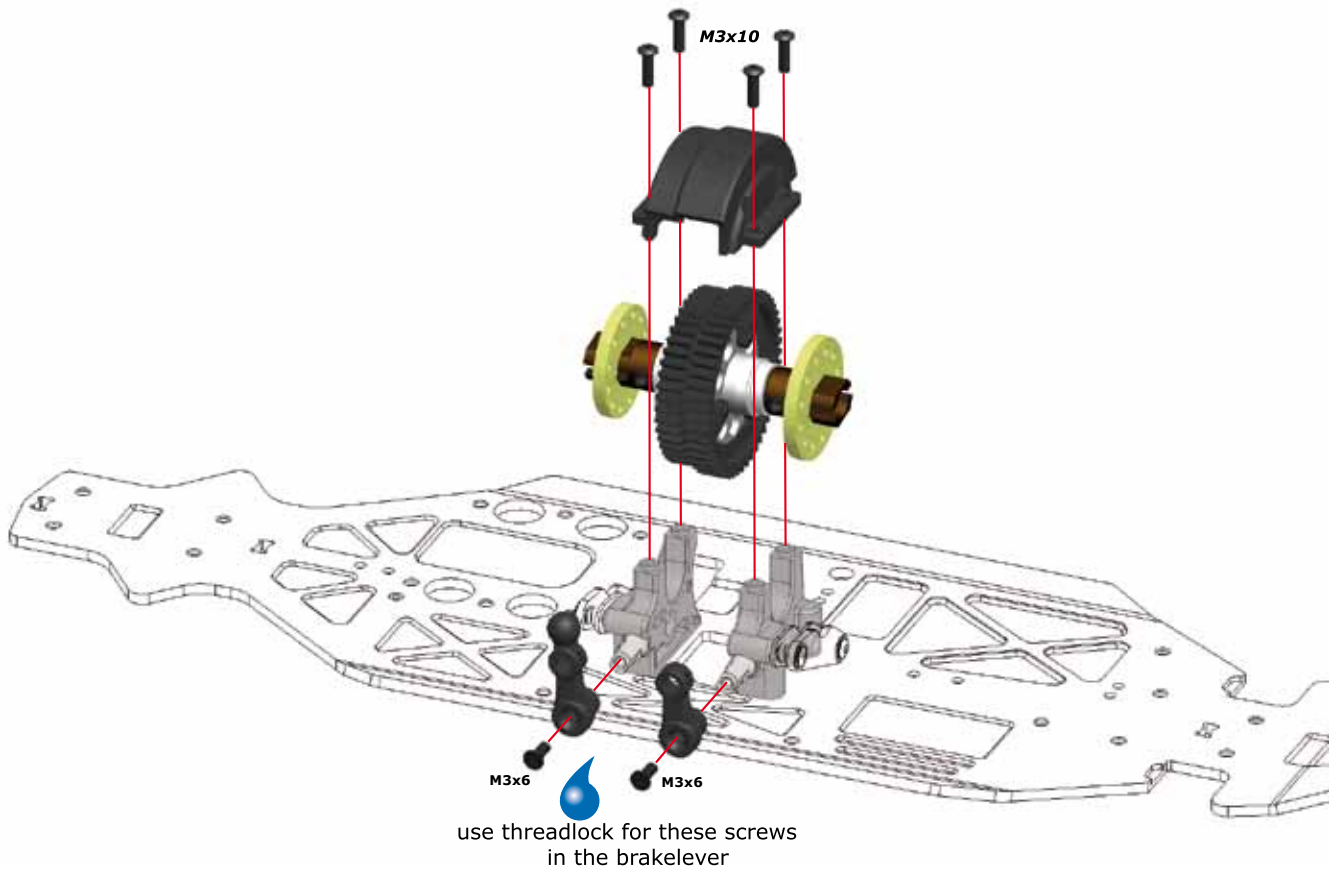
A

8



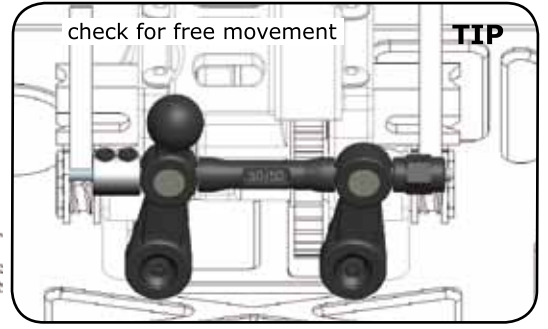
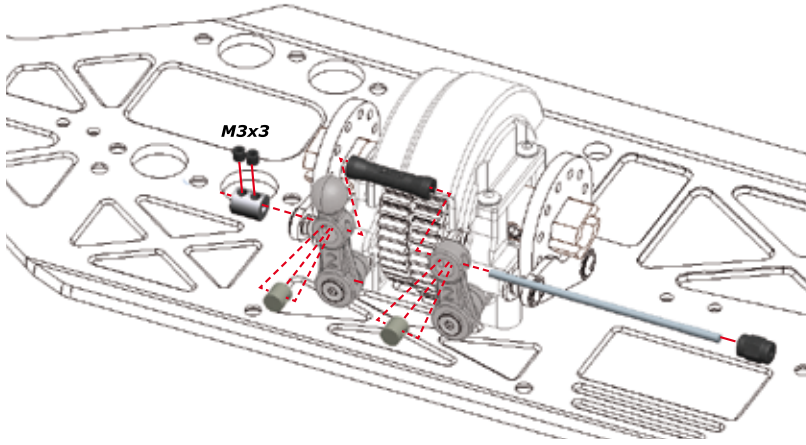
A

9



A

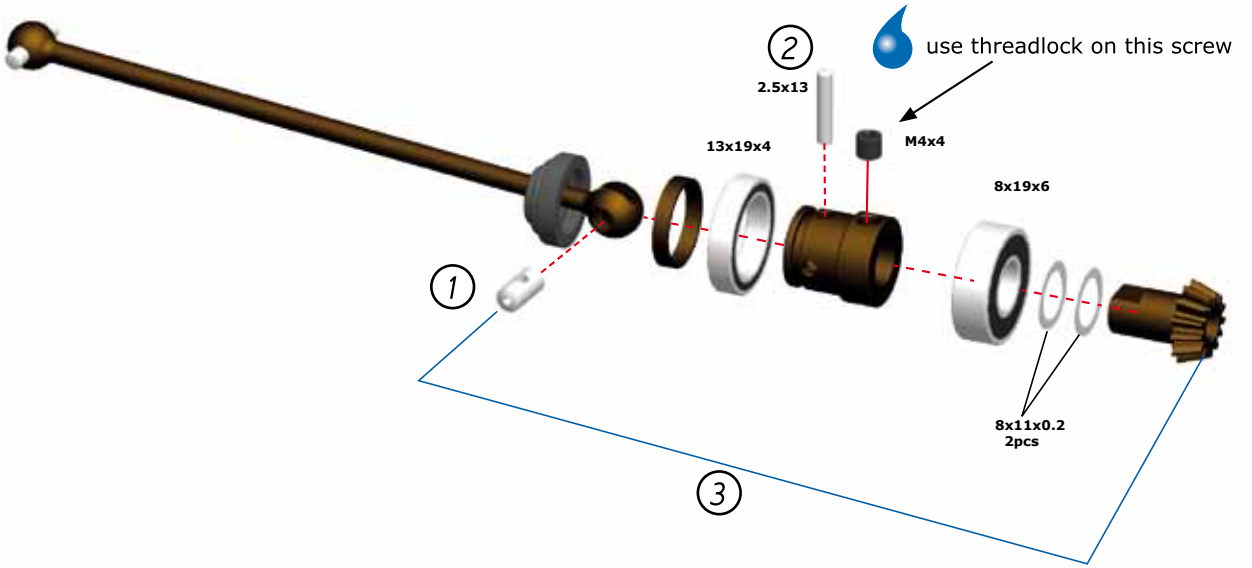
10



A

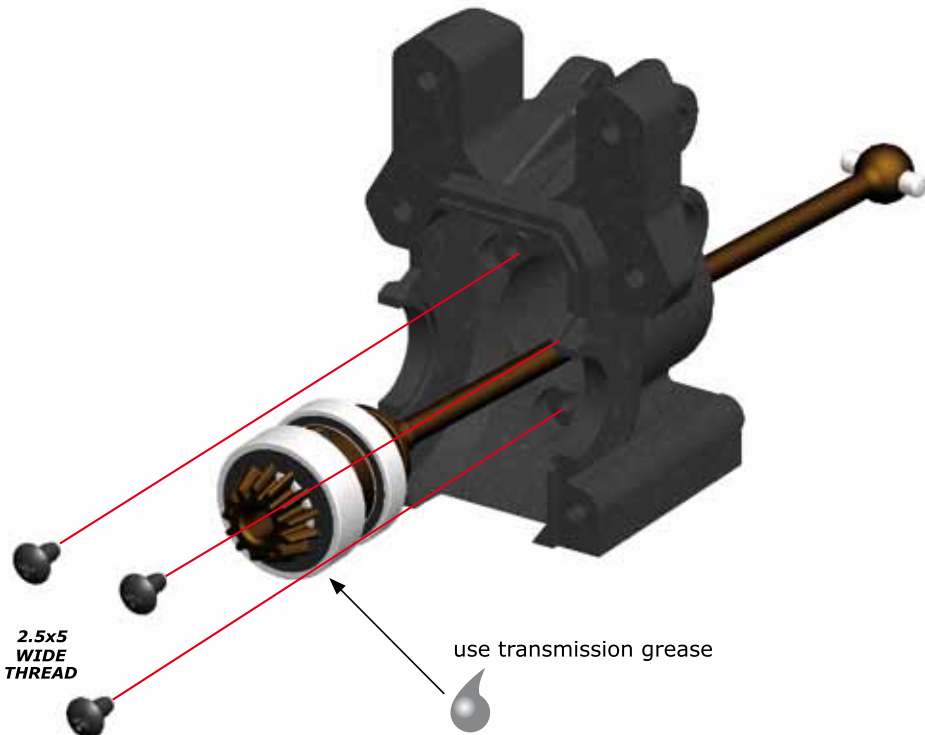
11

BAG
2

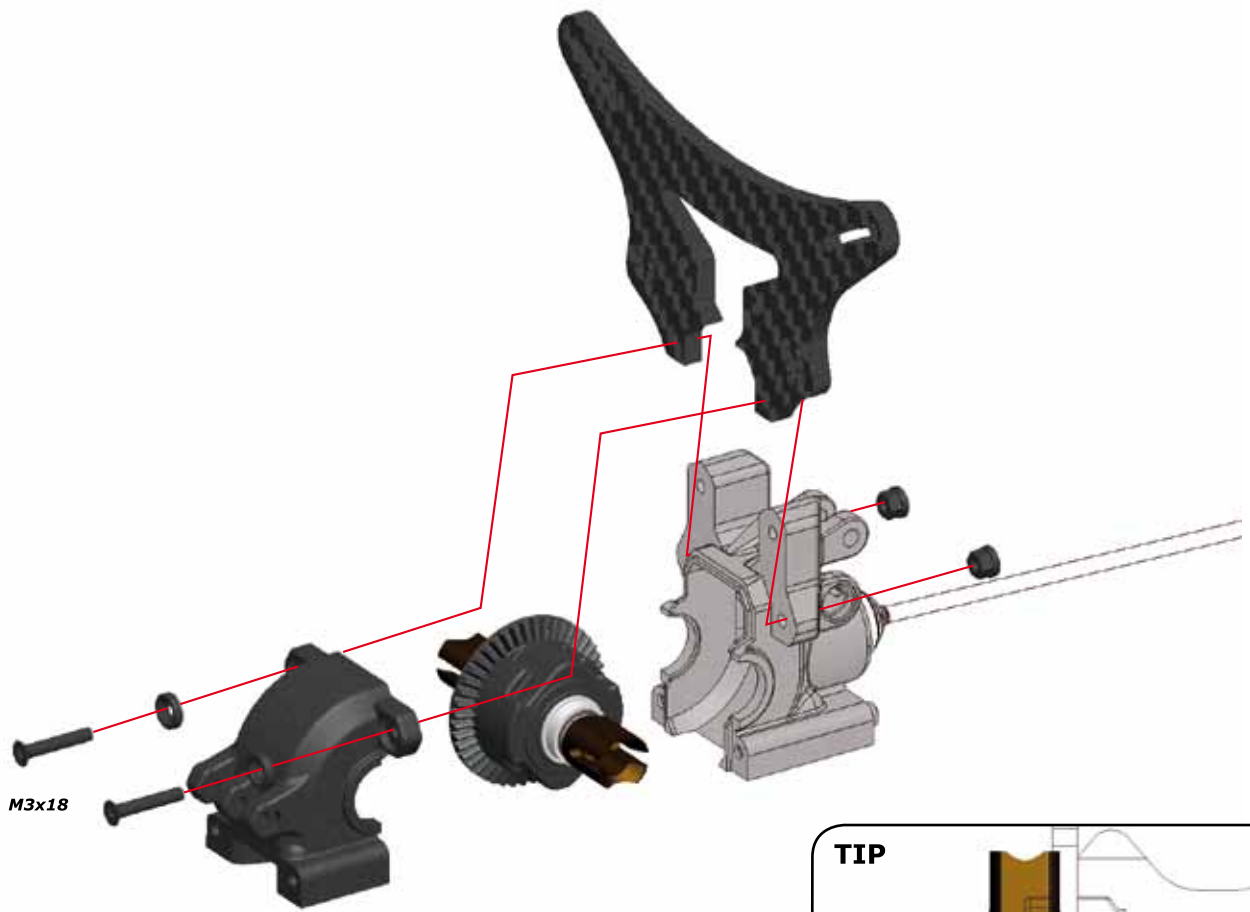


A

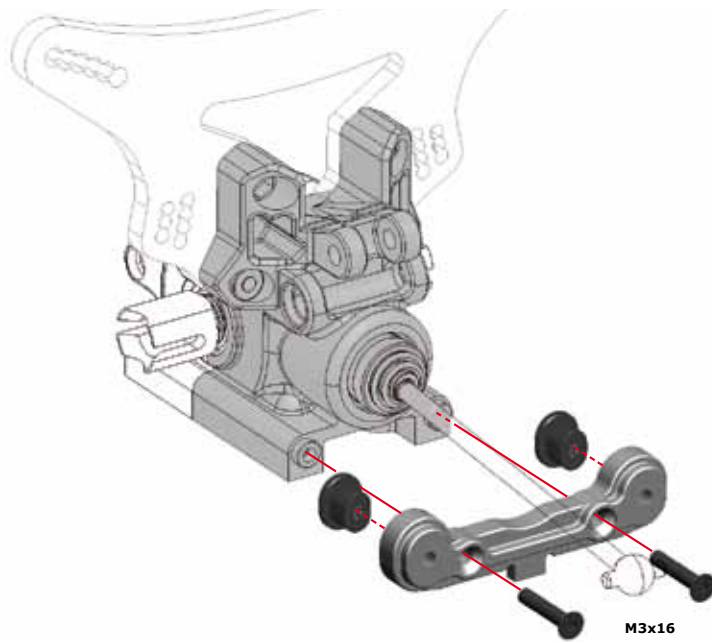
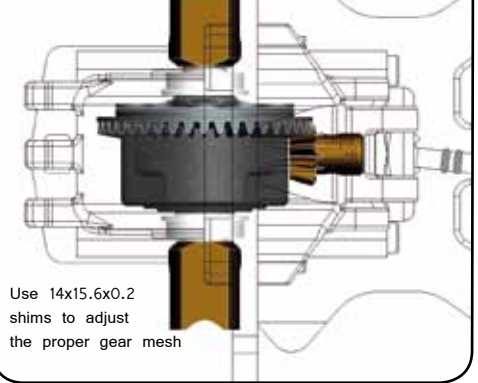
12



7



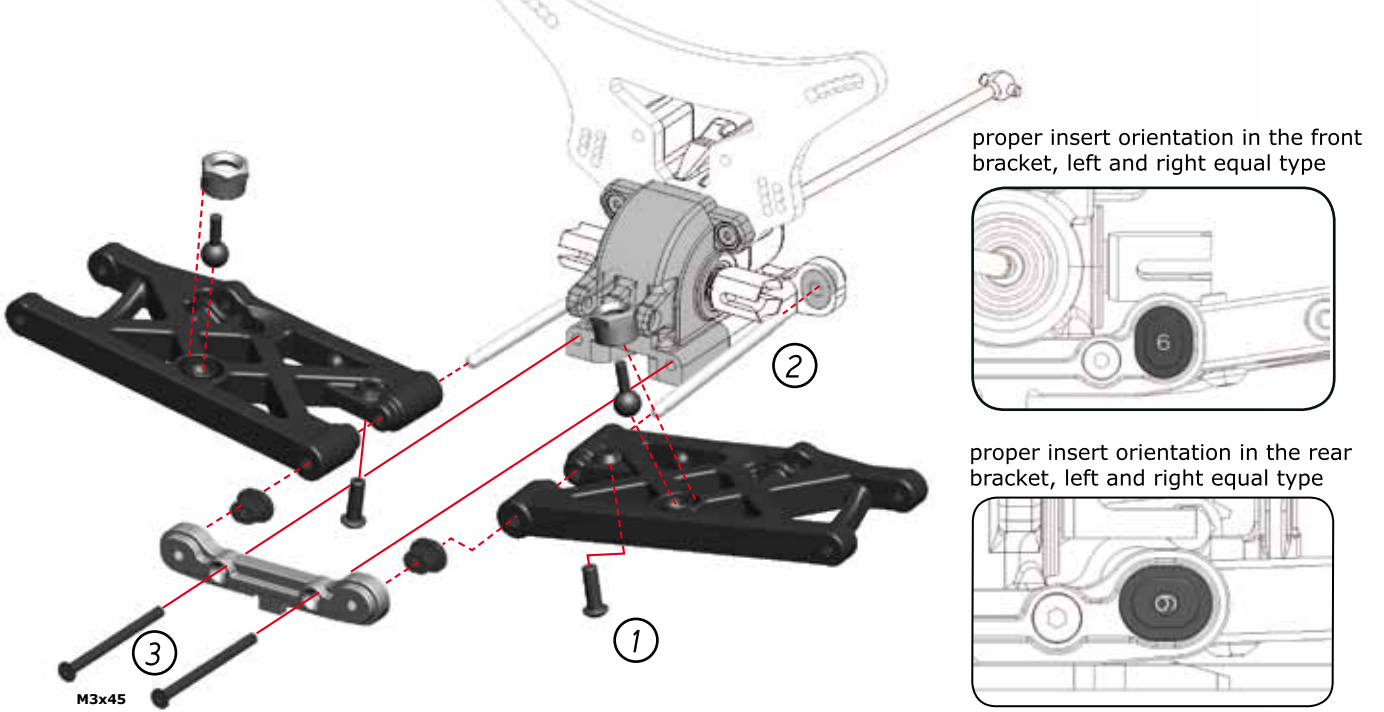
TIP



A

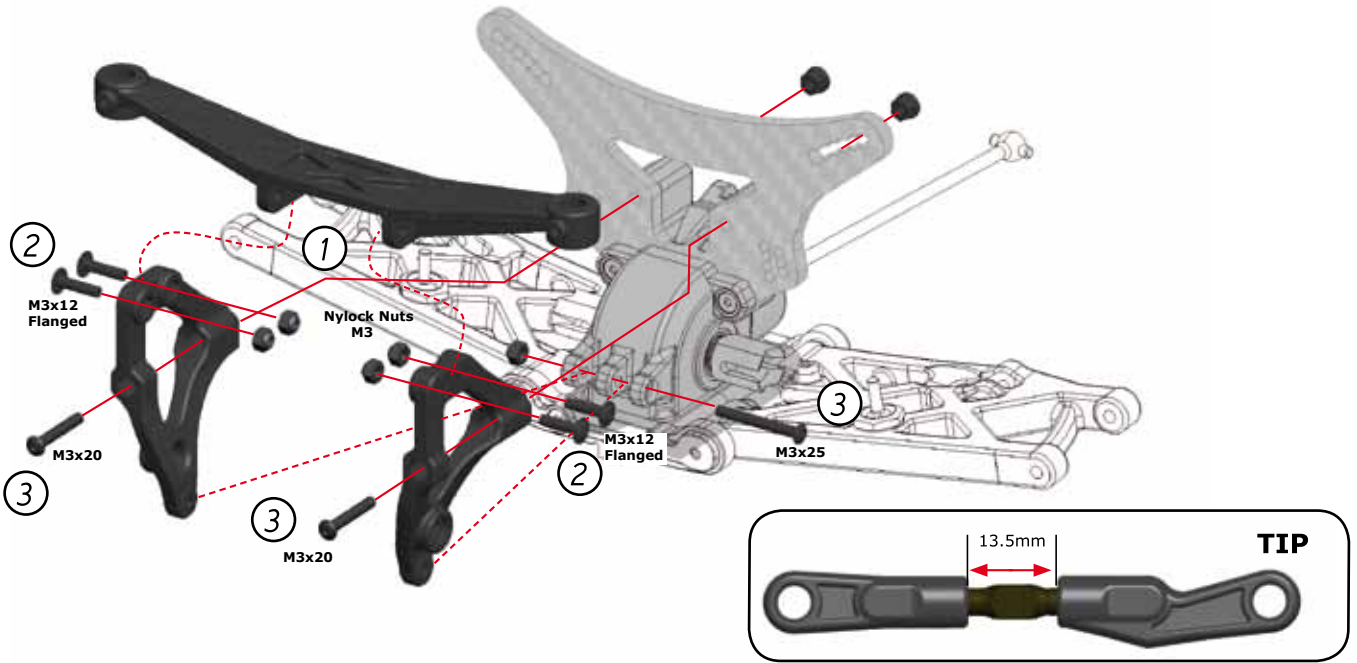
15

BAG
3



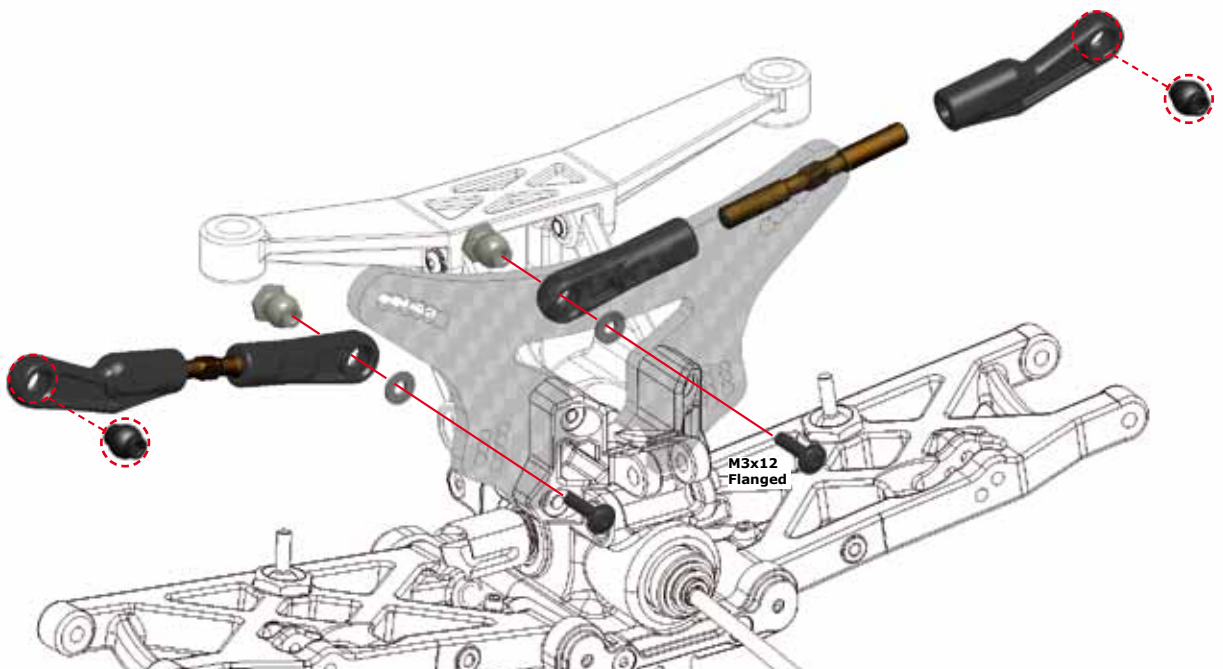
A

16



A

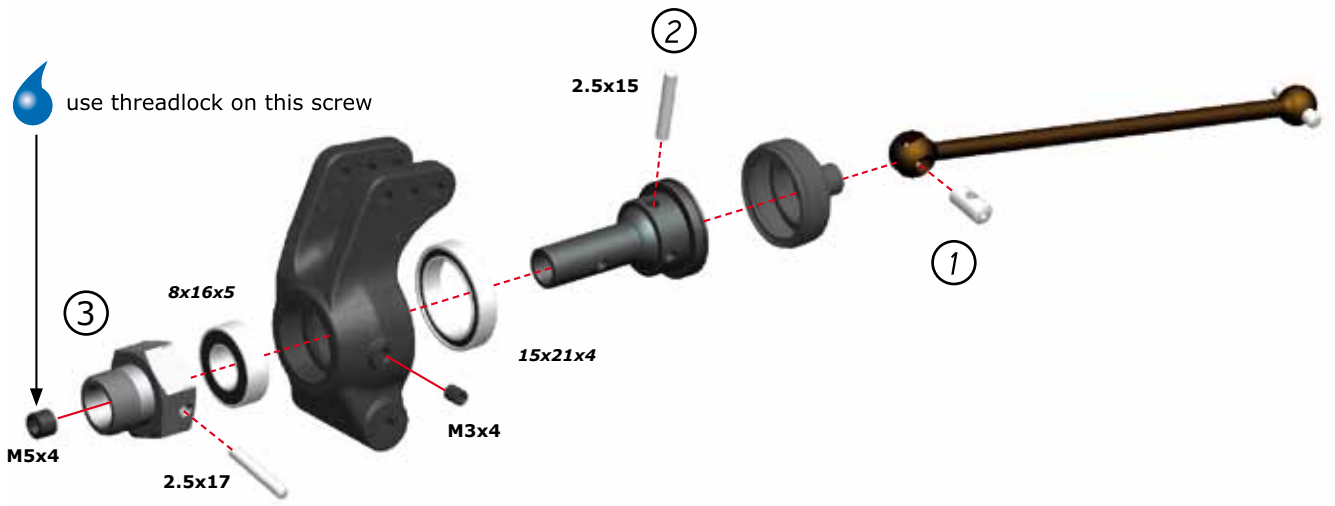
17



A

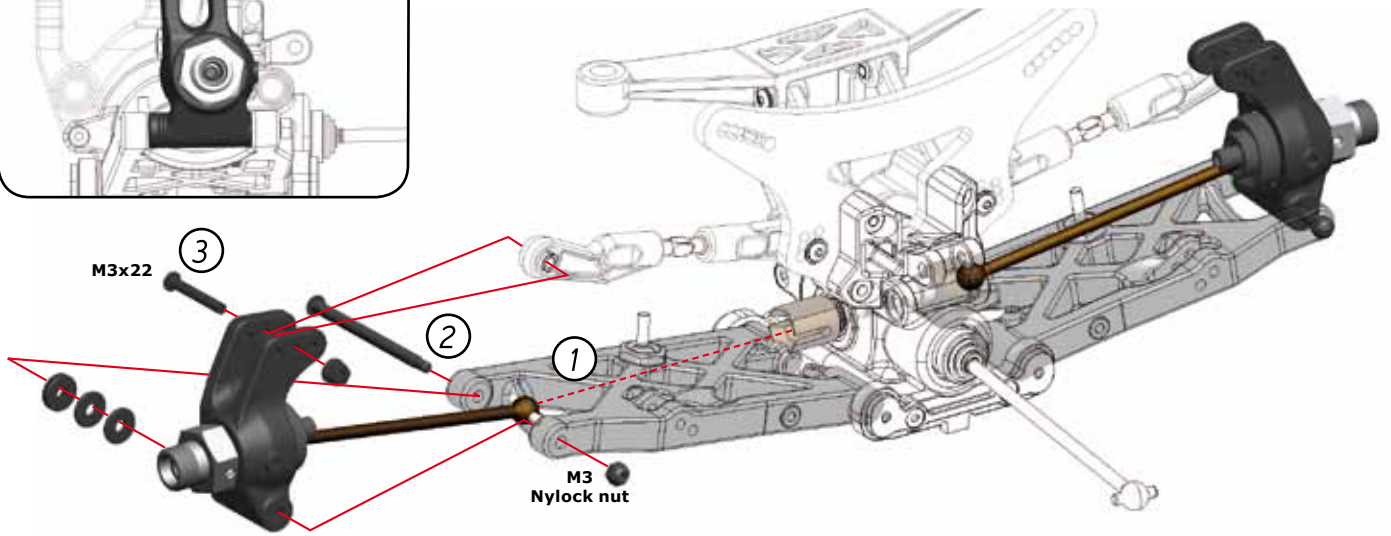
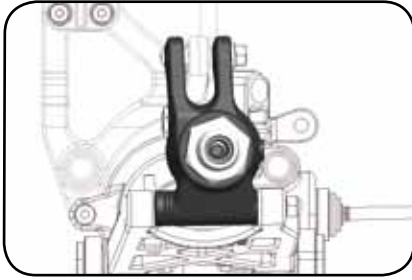


use threadlock on this screw



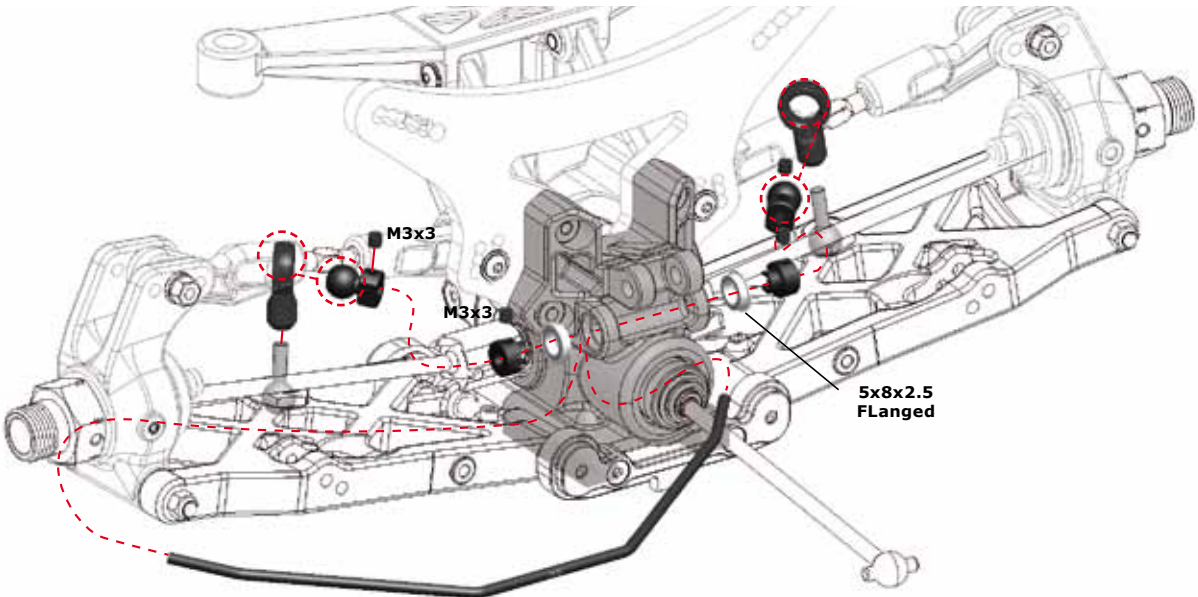
A

18B



A

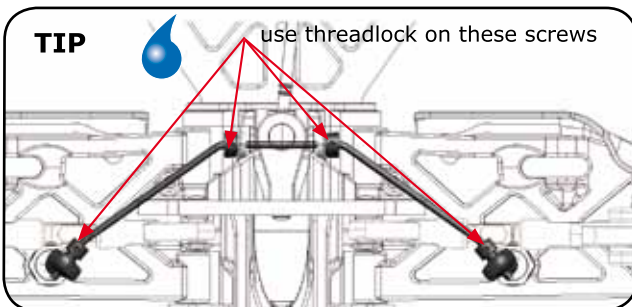
19



TIP

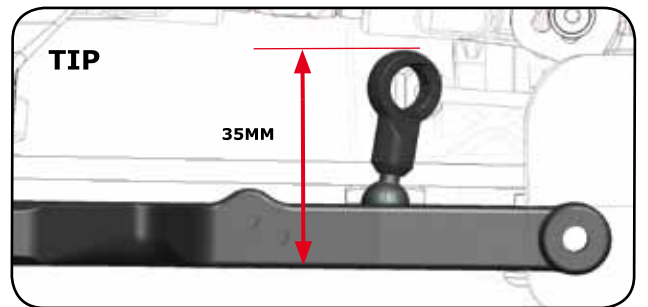


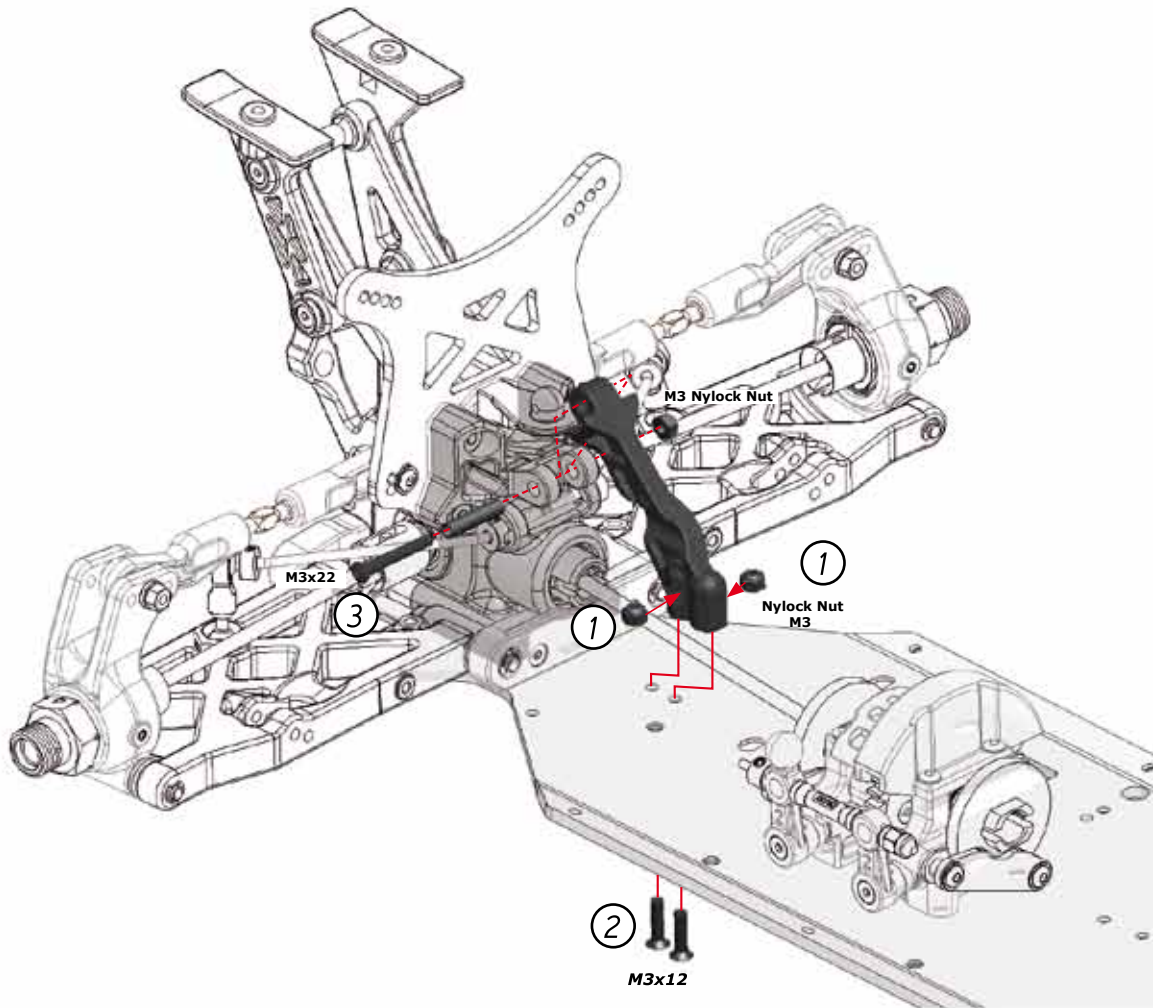
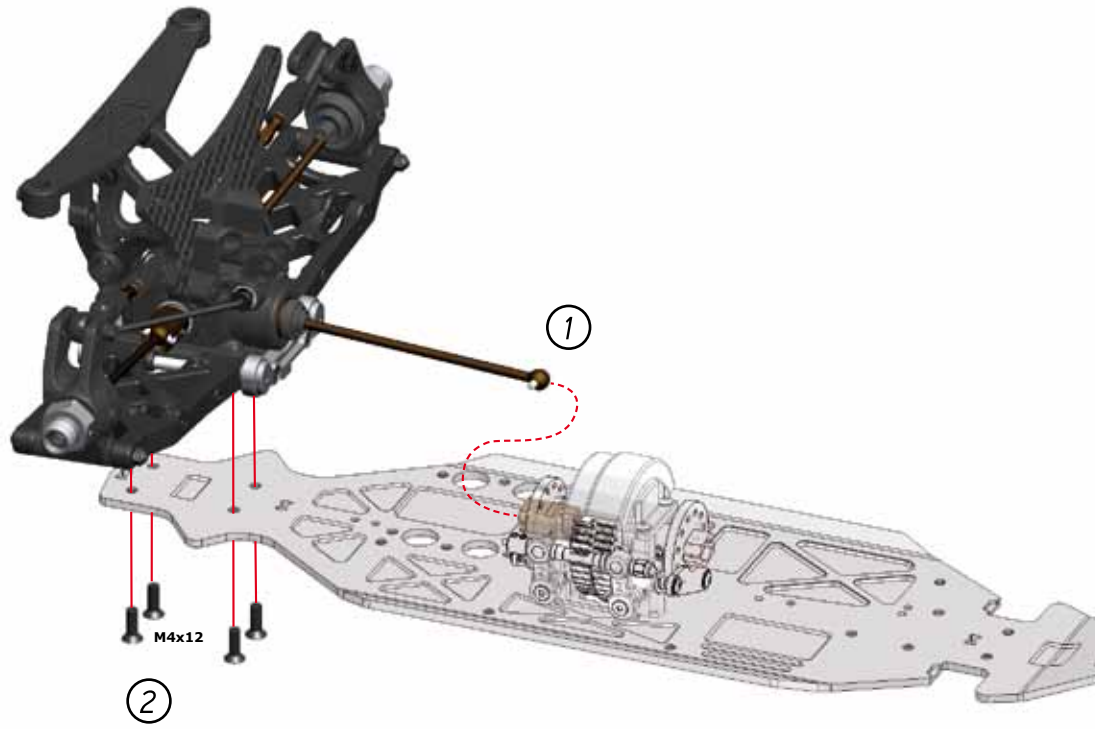
use threadlock on these screws



TIP

35MM

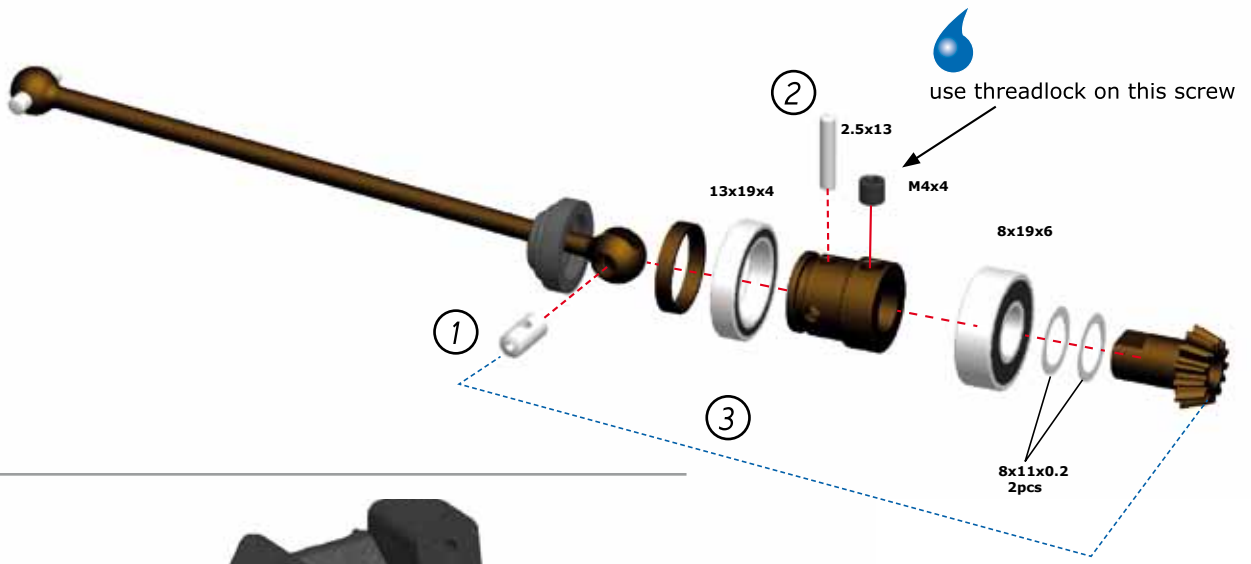




A

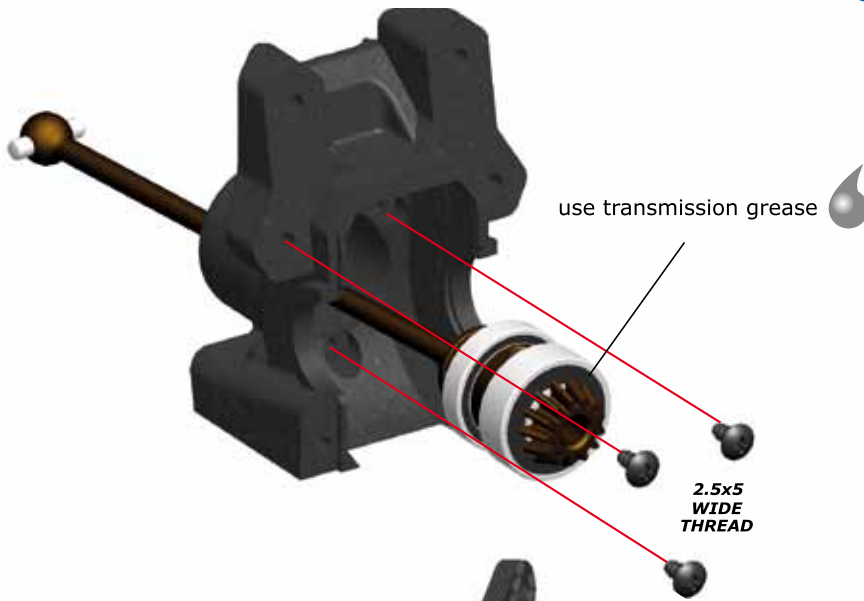
22

BAG
5



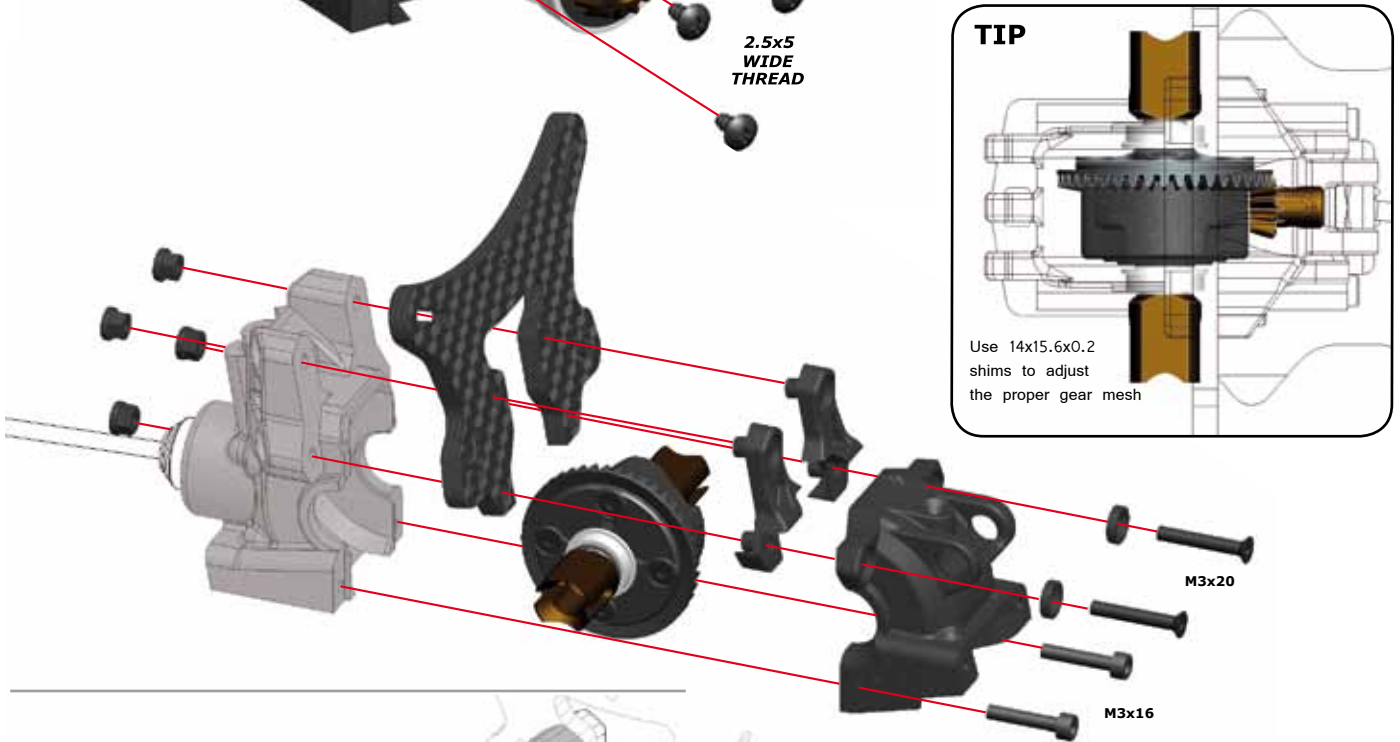
A

23



A

24

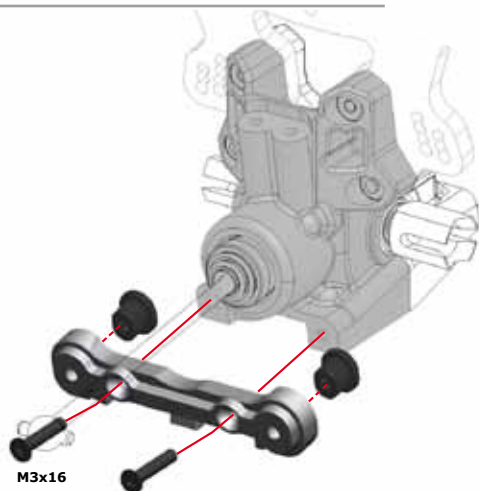


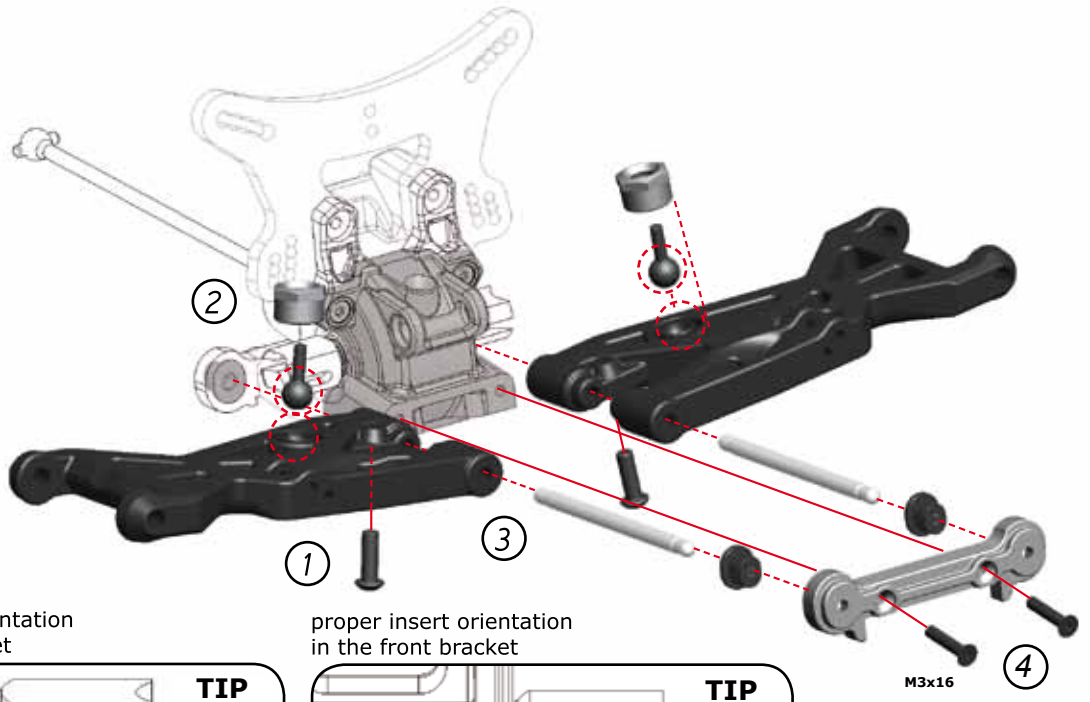
A

25

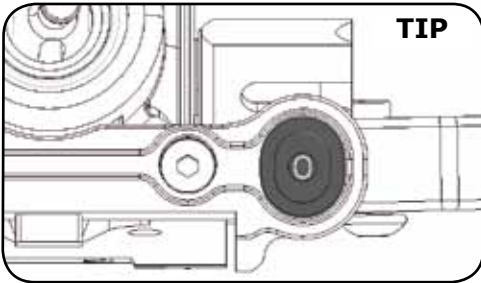
Cobra

12

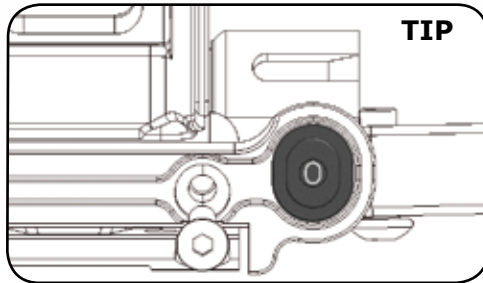




proper insert orientation
in the rear bracket

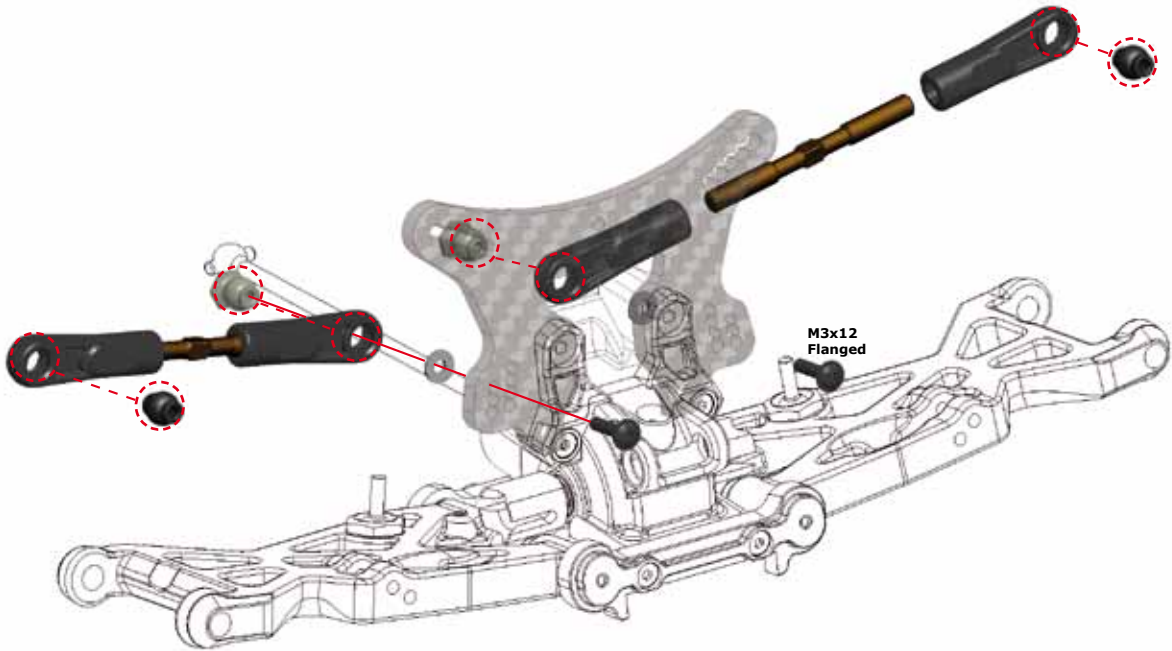


proper insert orientation
in the front bracket

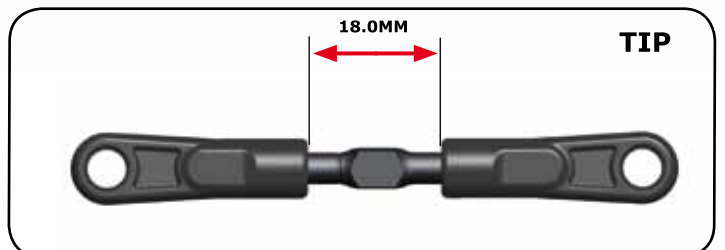


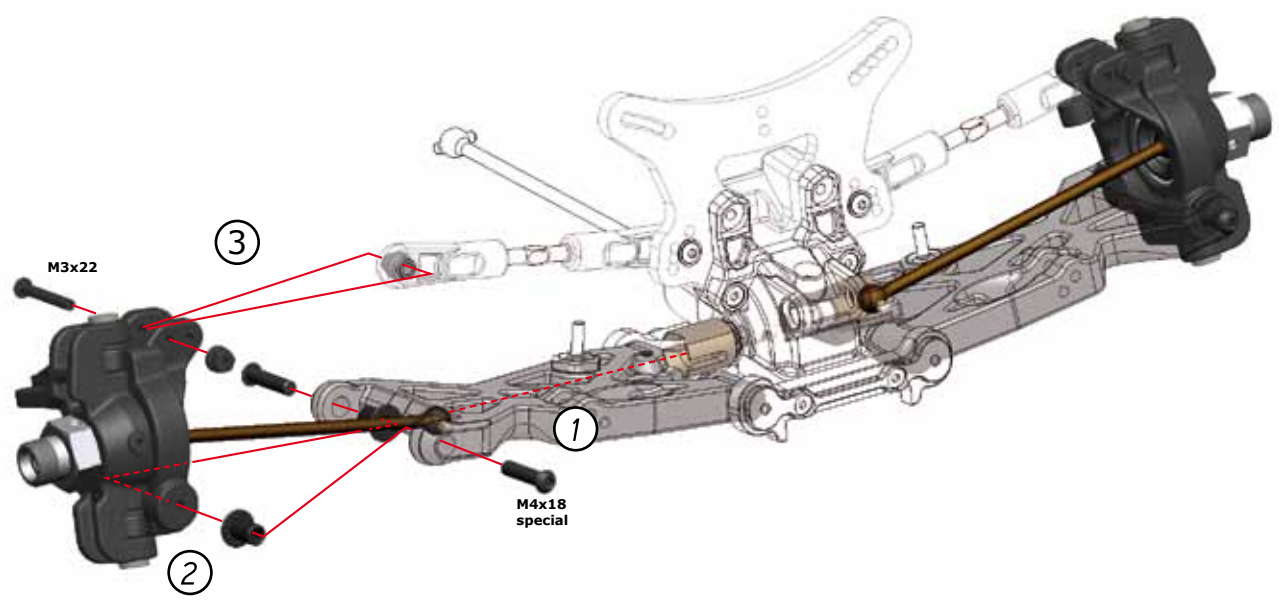
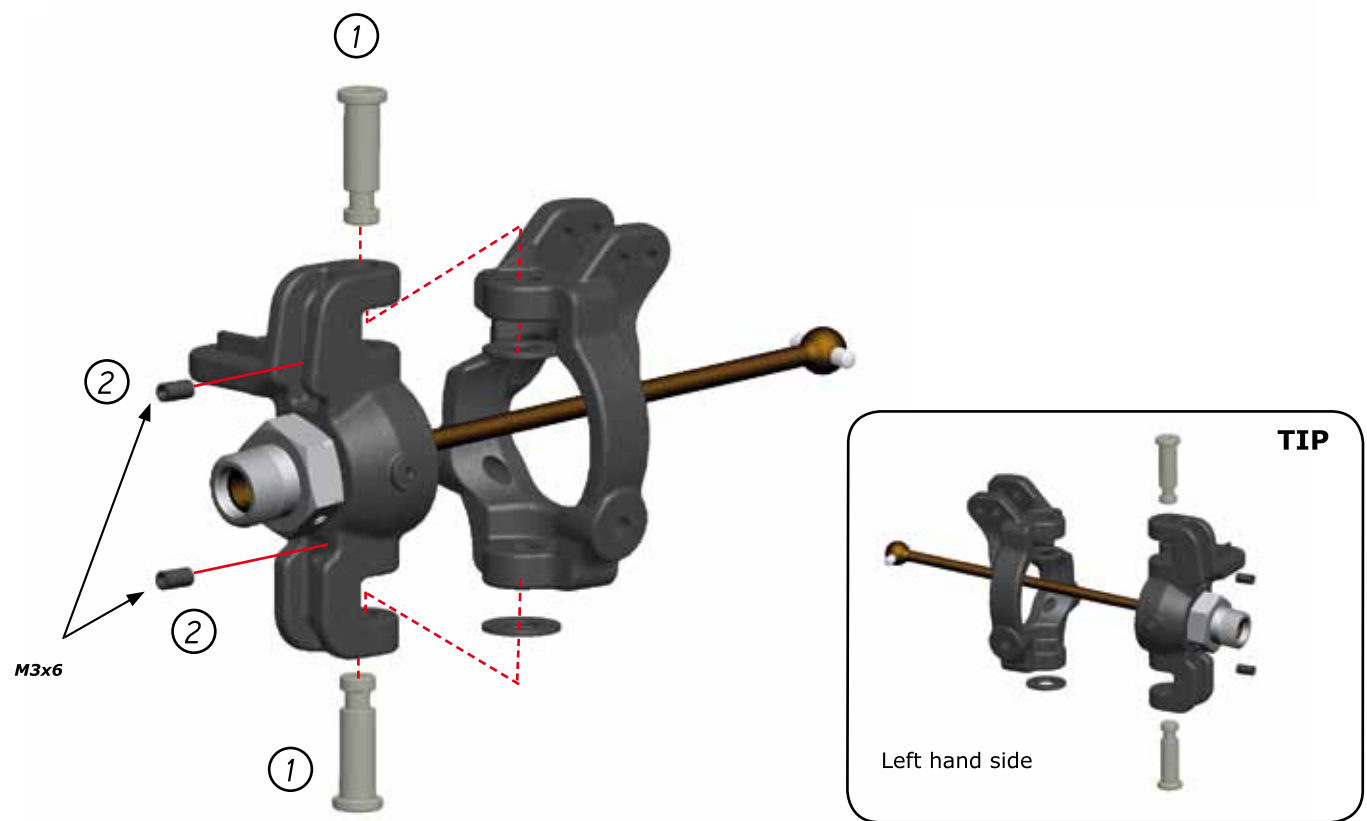
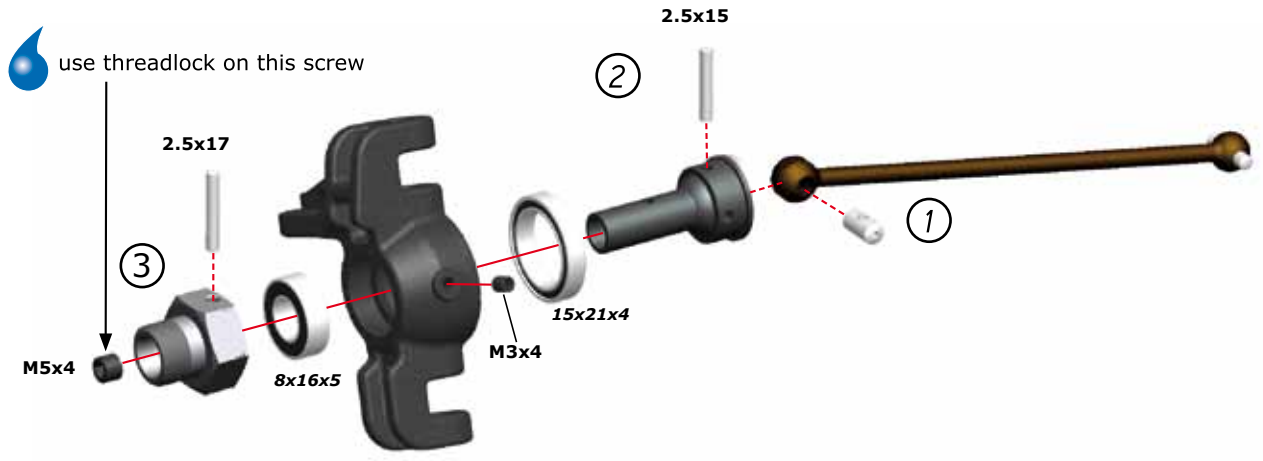
M3x16

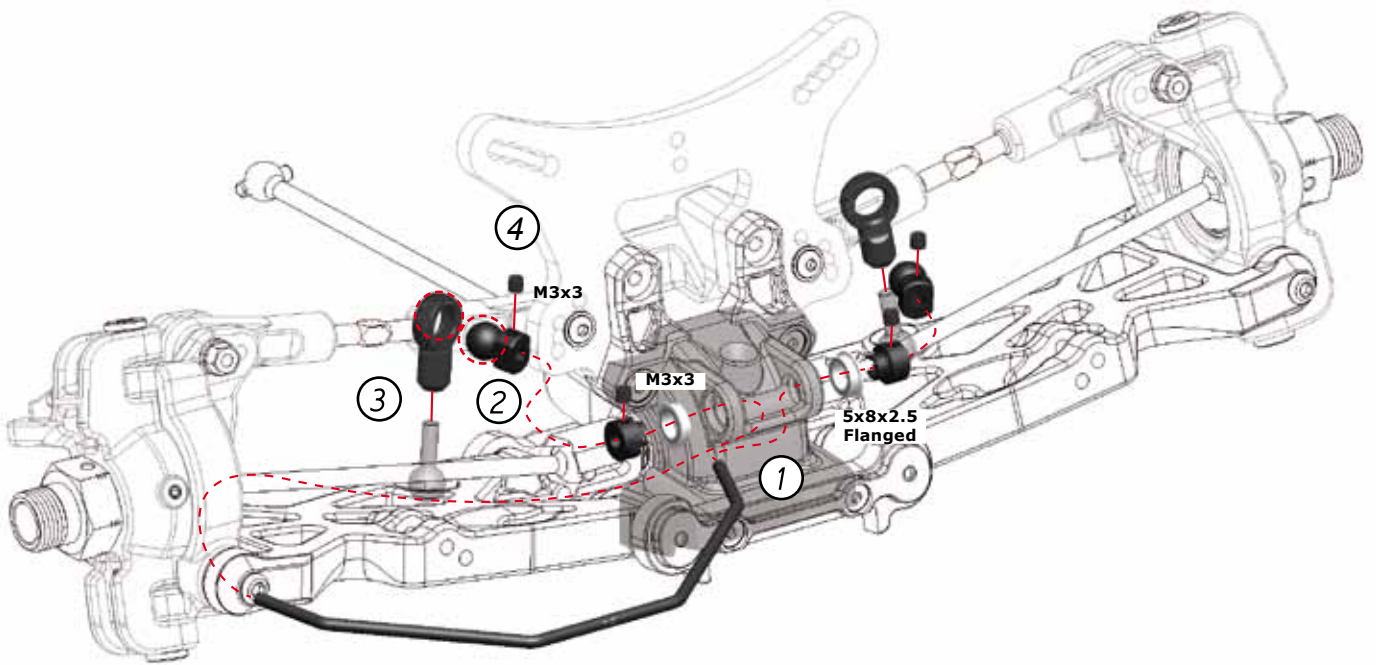
4




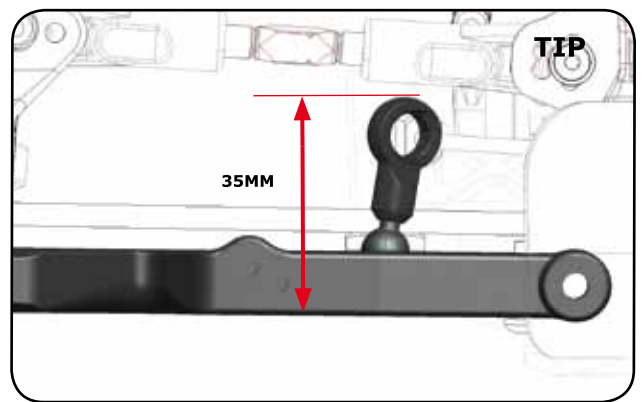
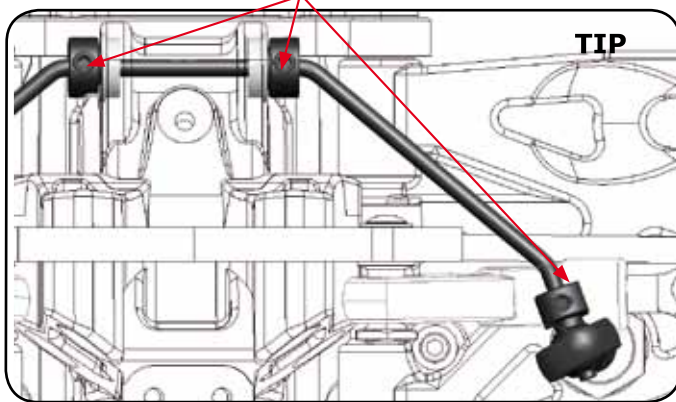
M3x12
Flanged

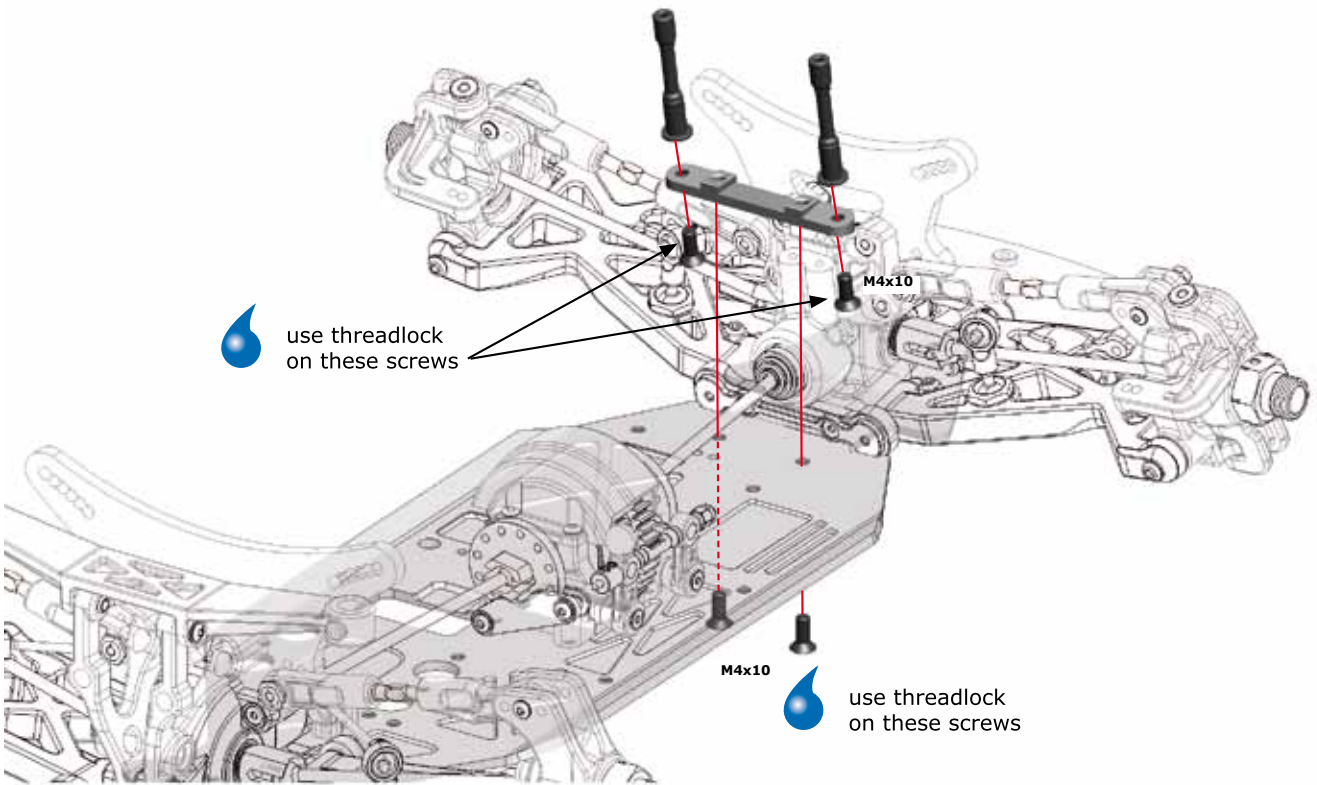
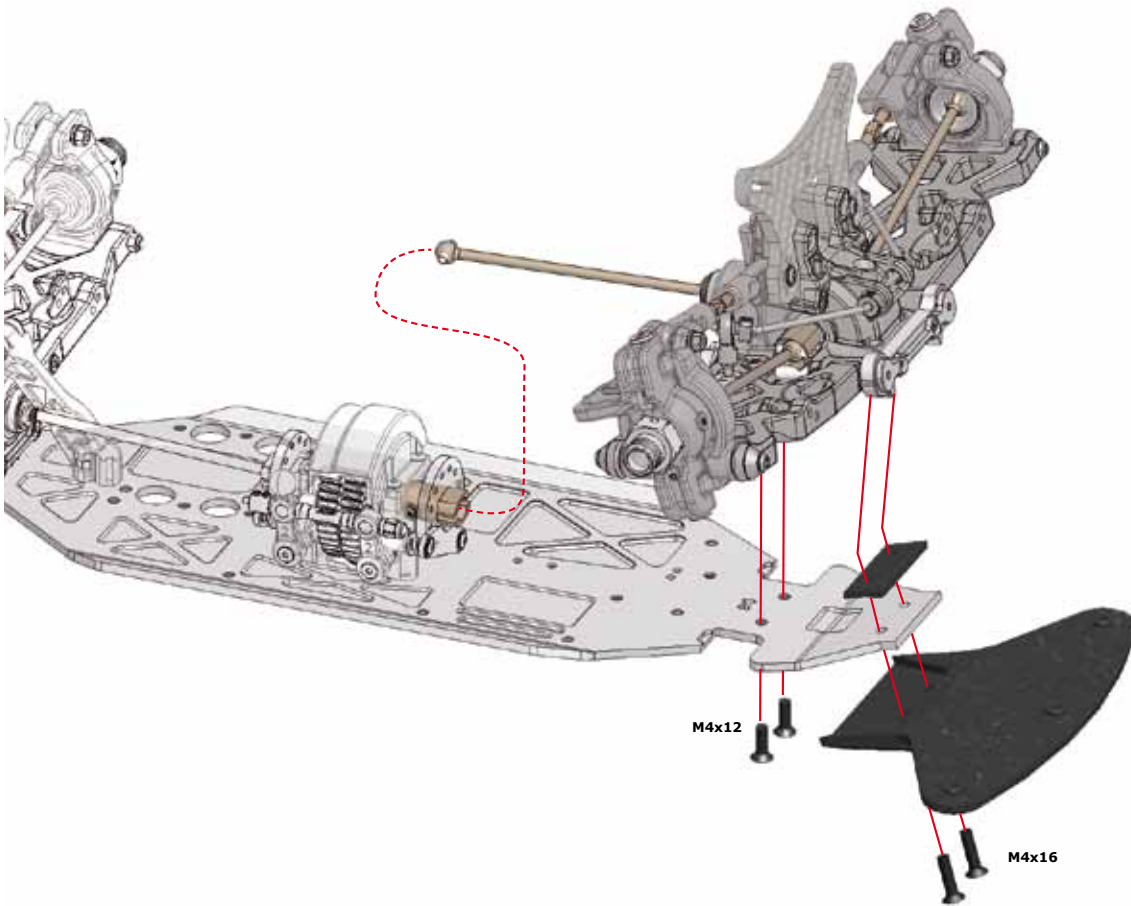






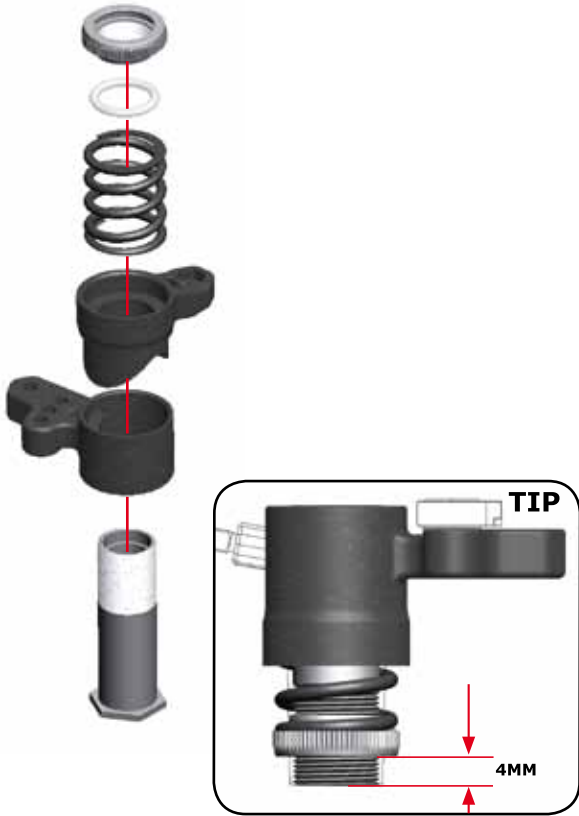
 use threadlock on these screws





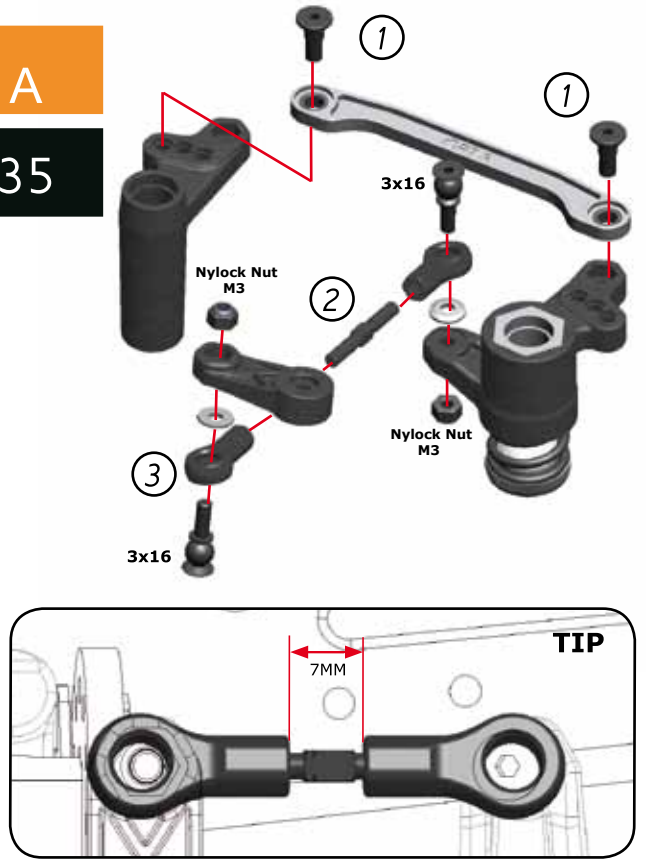
A

34



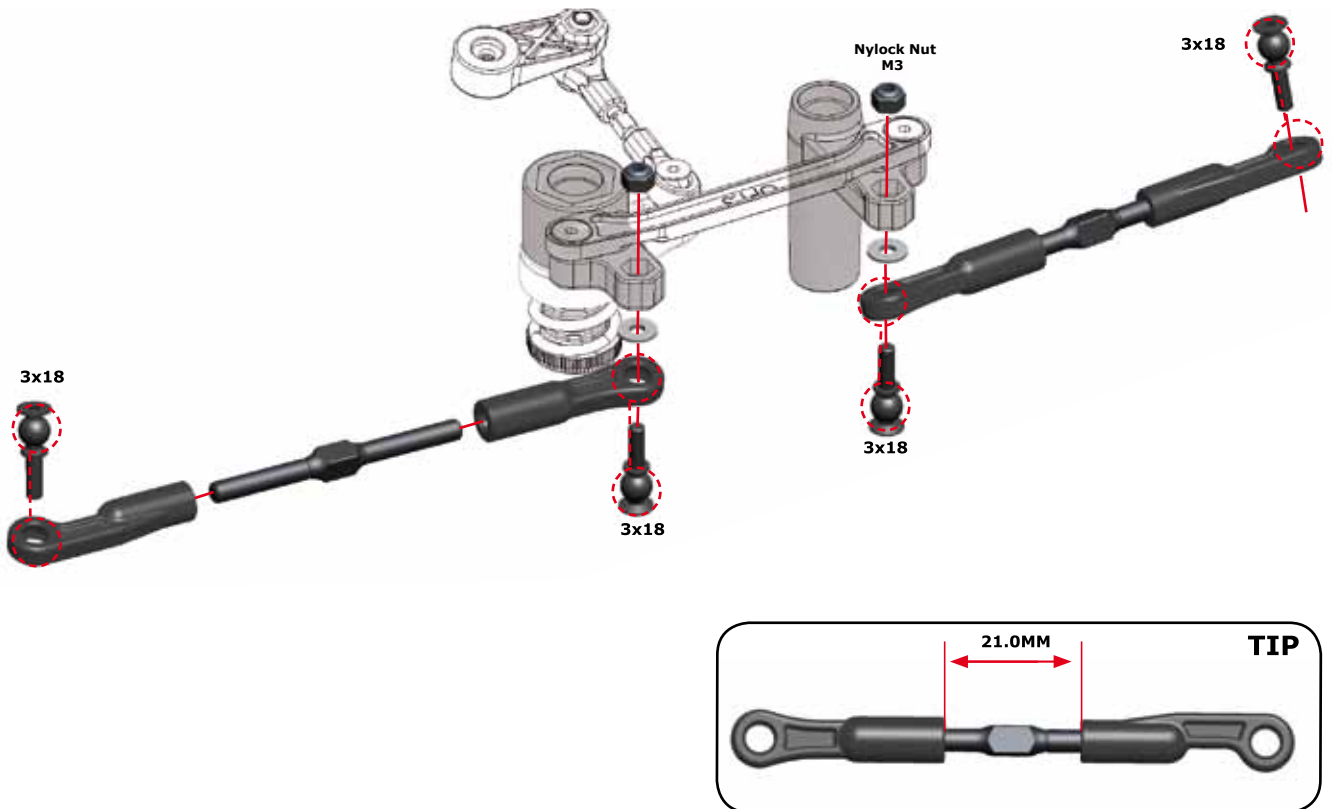
A

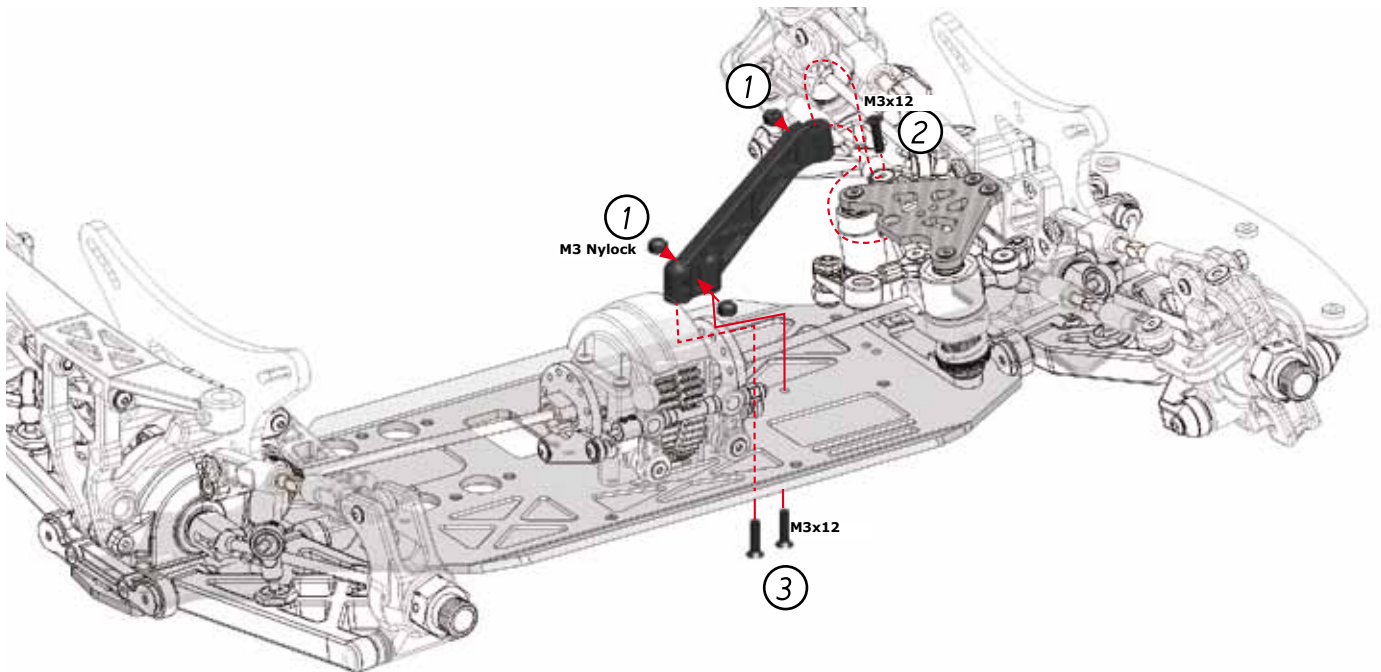
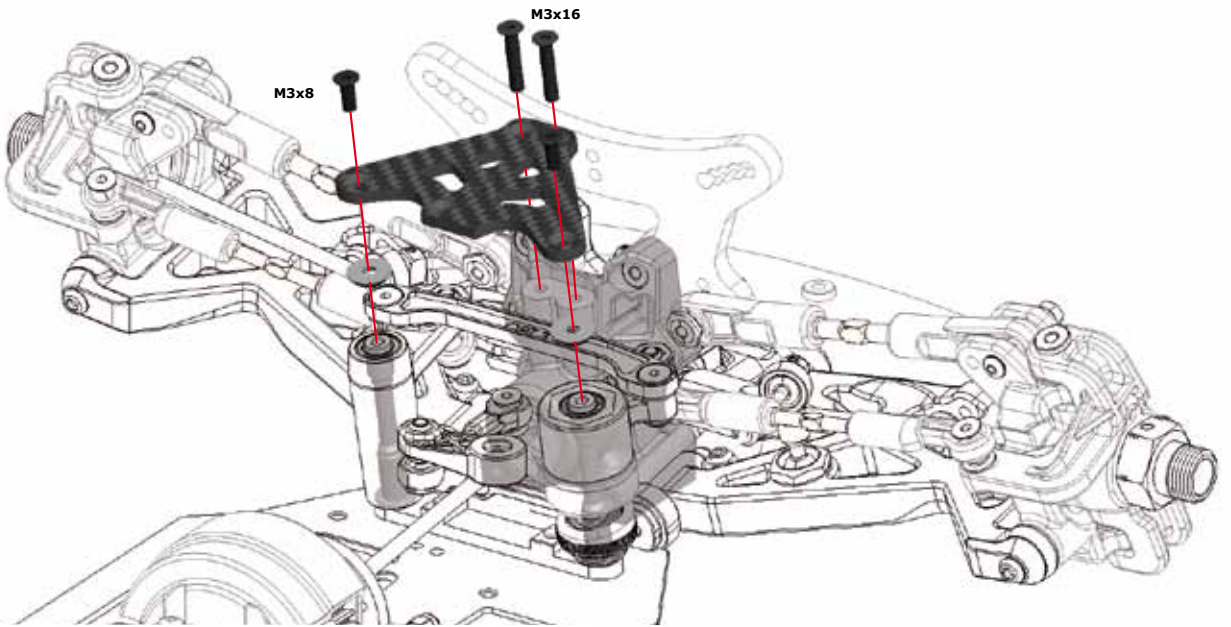
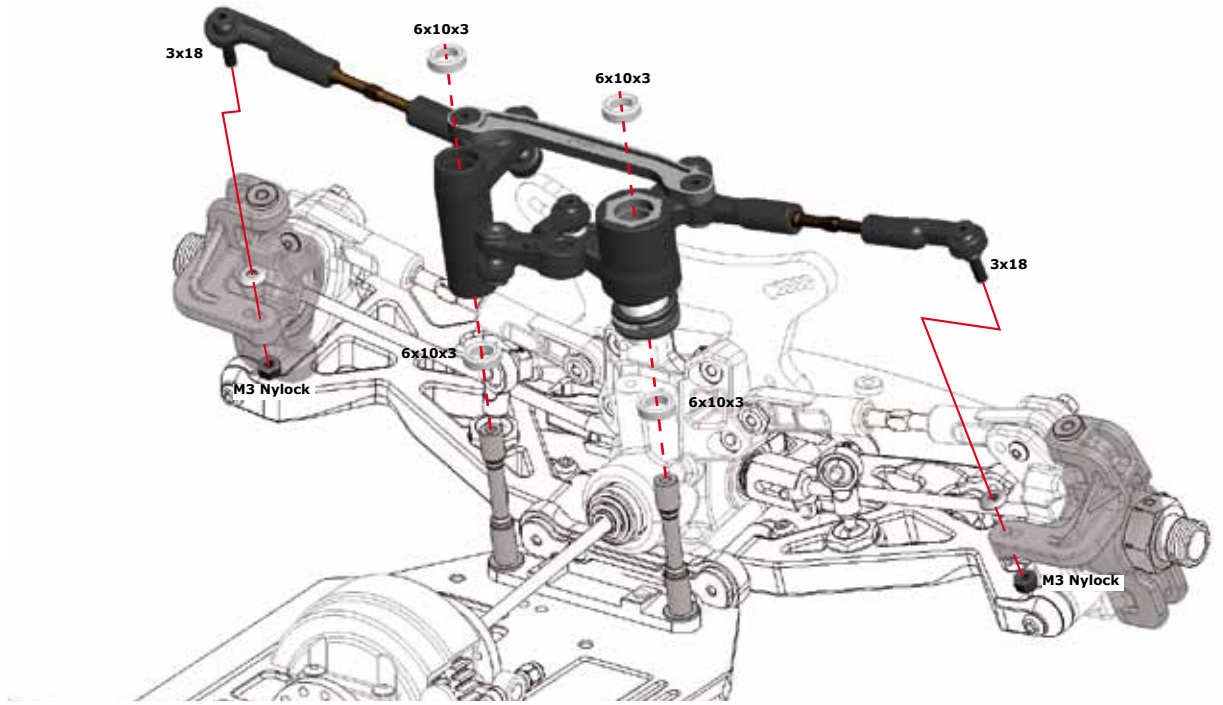
35



A

36



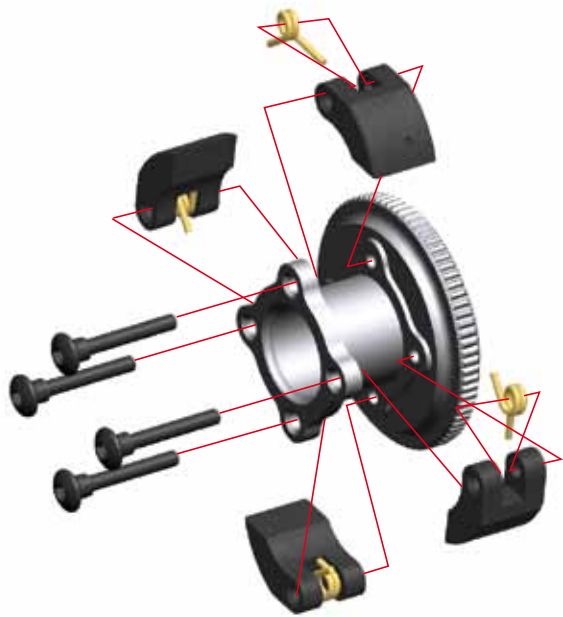


CLUTCH / ENGINE

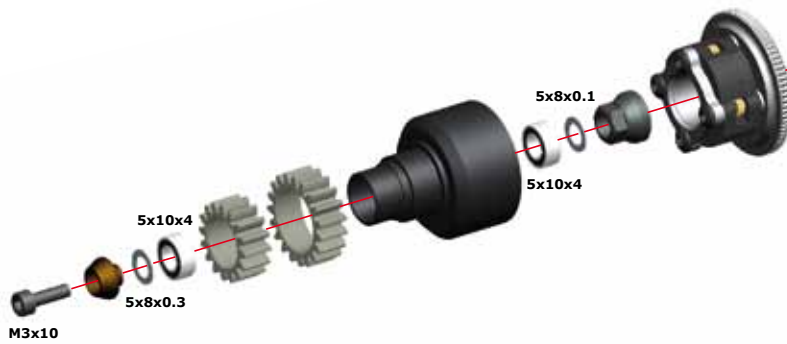
B

1

BAG
8

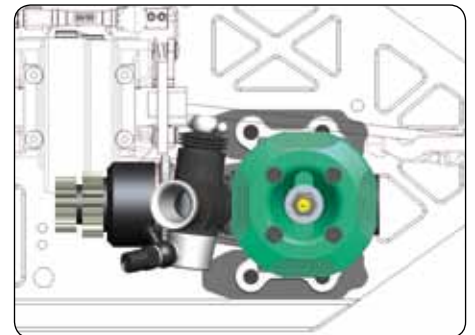
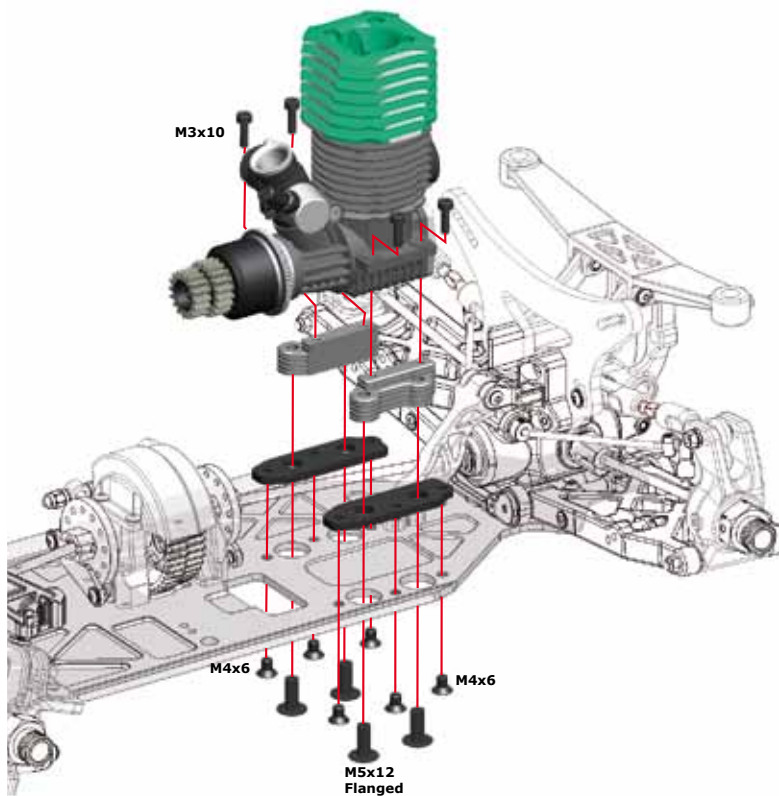


**ENGINE
NOT INCLUDED**



B

3

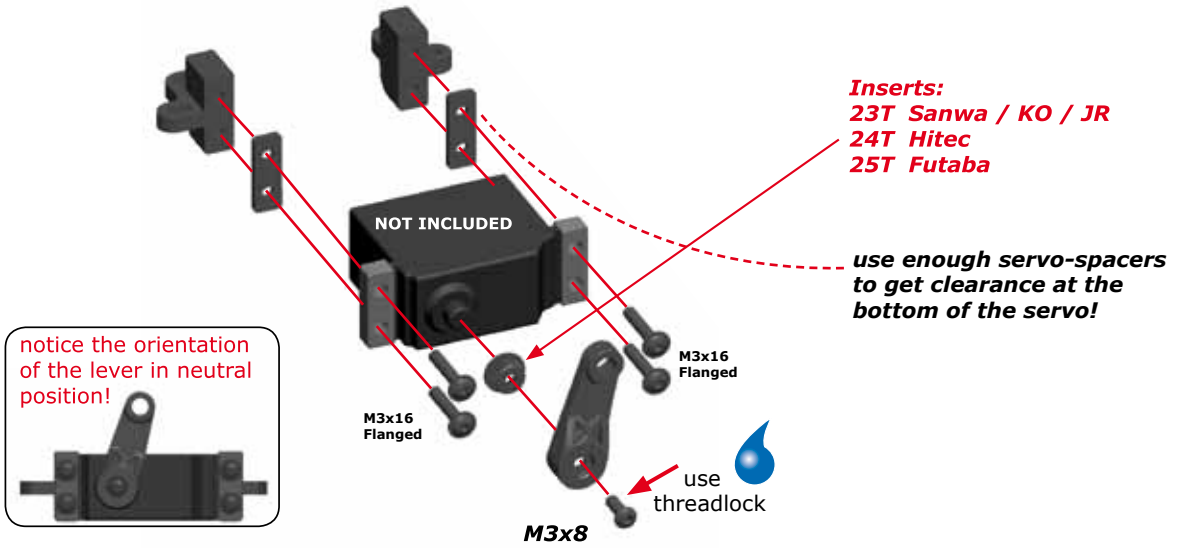


C

RADIOPLATE ASSEMBLY

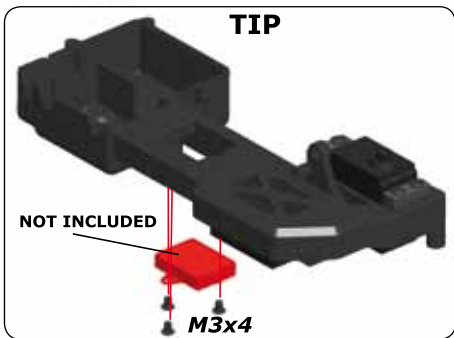
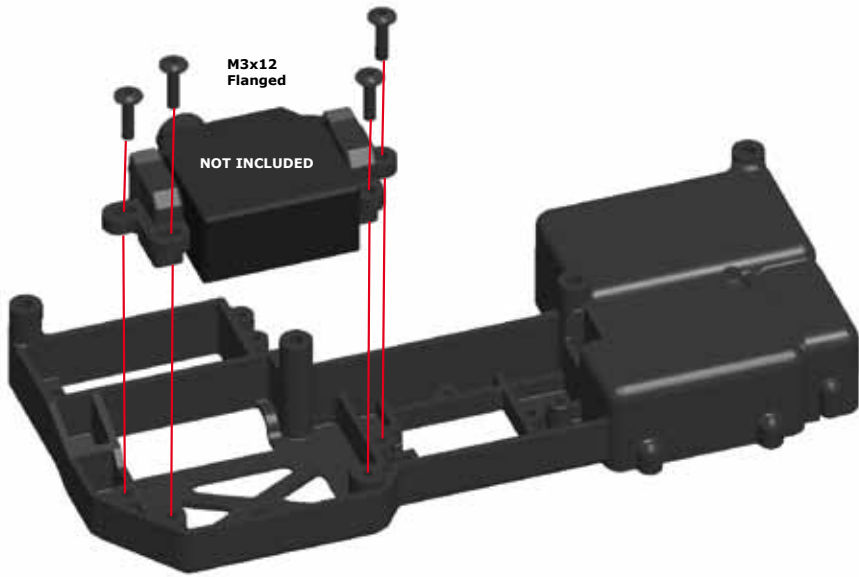
1

BAG
9



C

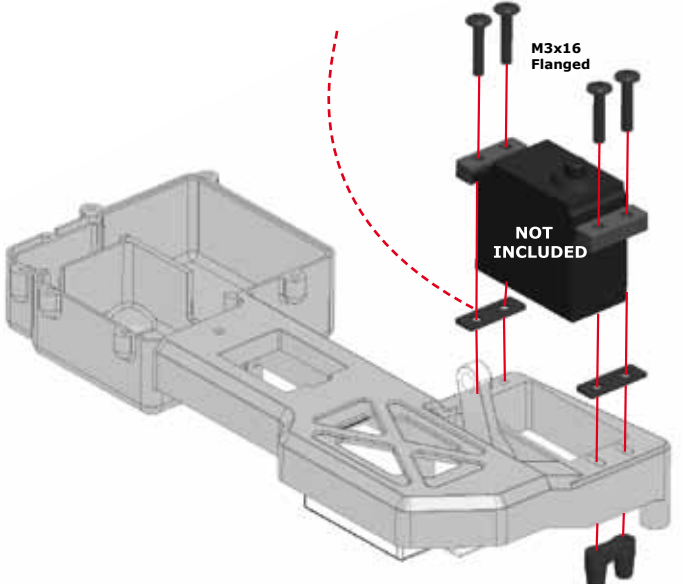
2



C

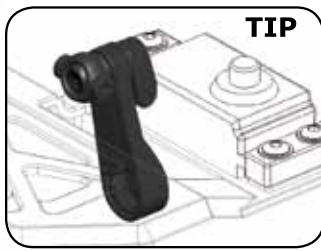
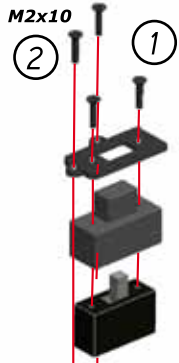
3

use enough servo-spacers to get clearance at the bottom of the servo!



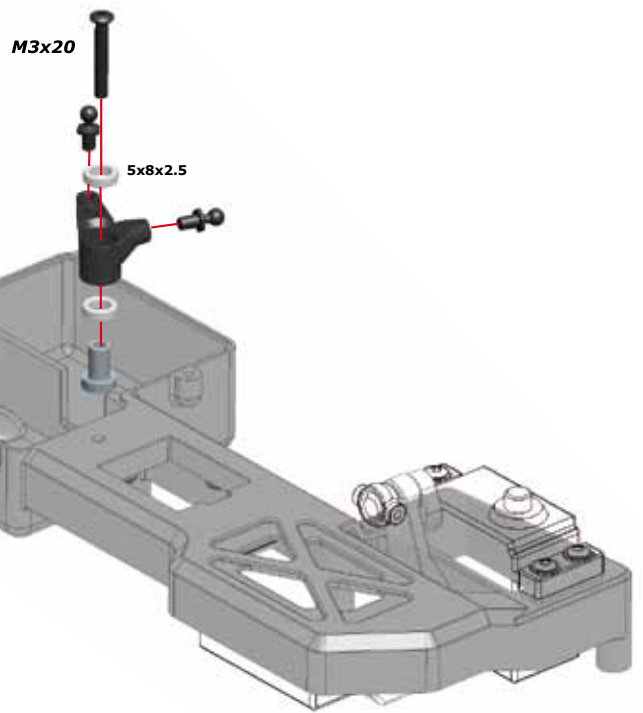
C

4



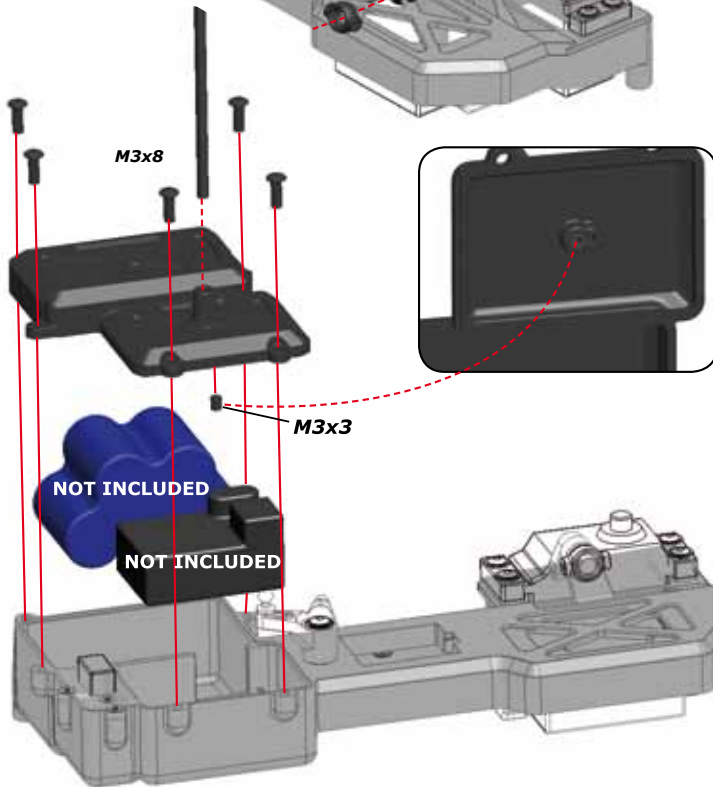
C

5



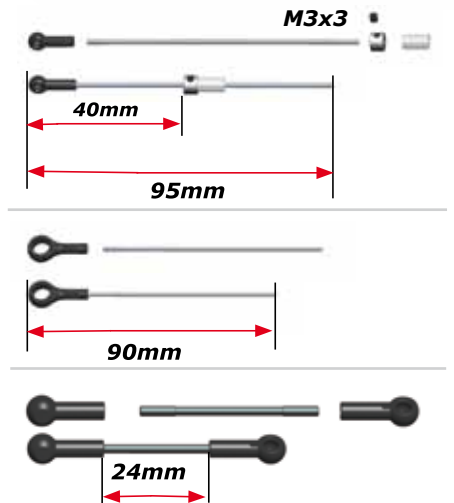
C

6



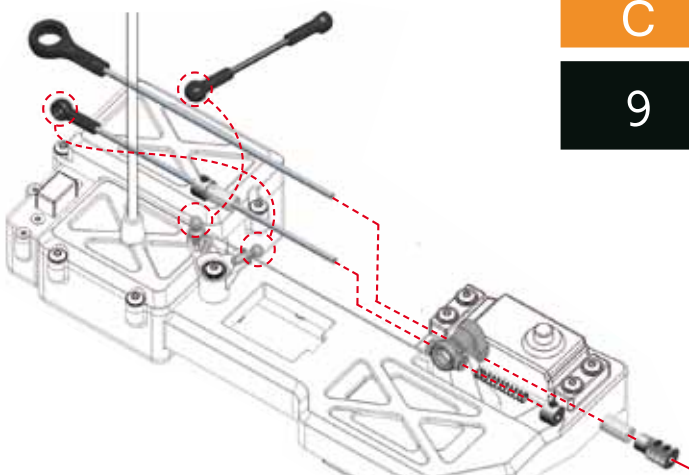
C

7



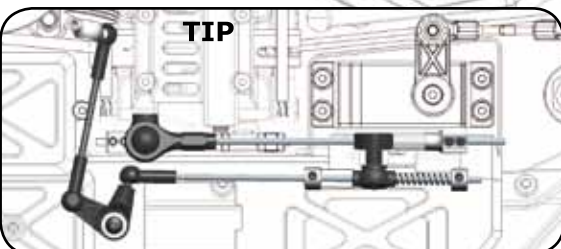
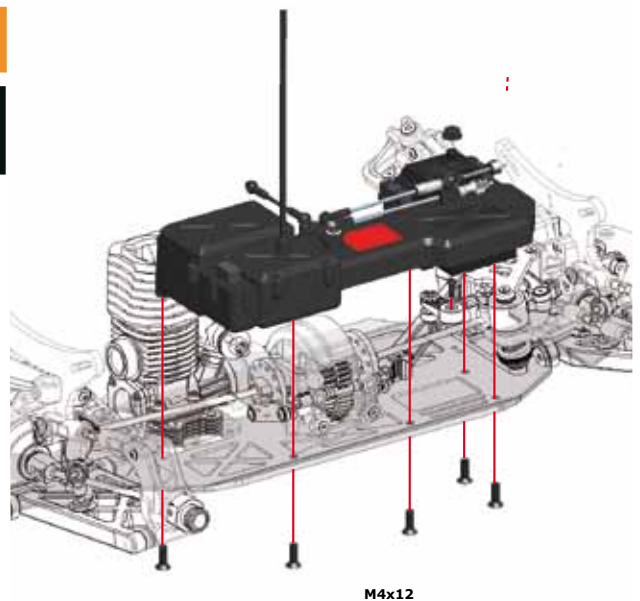
C

8



C

9



D

FRONT/REAR SHOCK ASSEMBLY

1

BAG 10

D

2

D

3

D

4

D

5

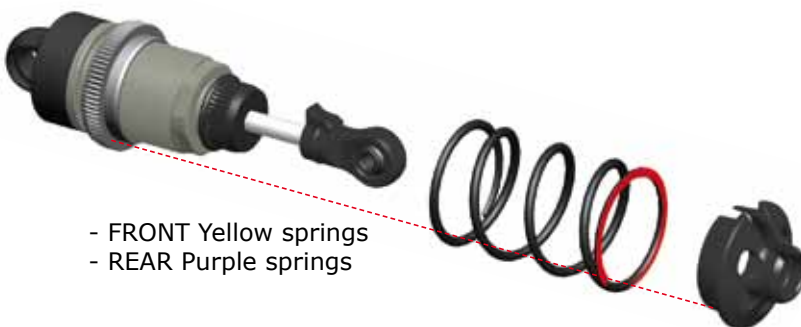
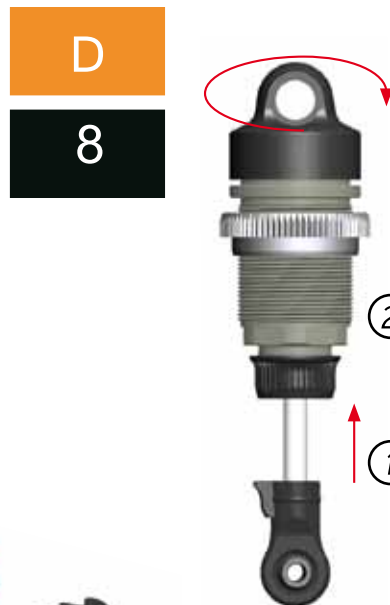
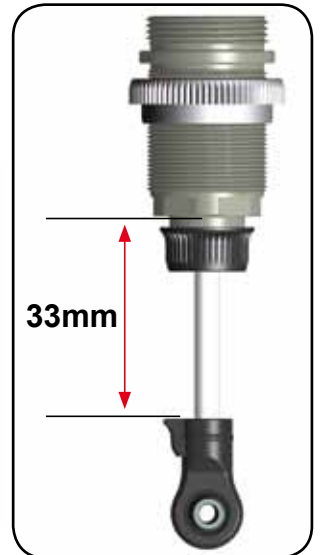
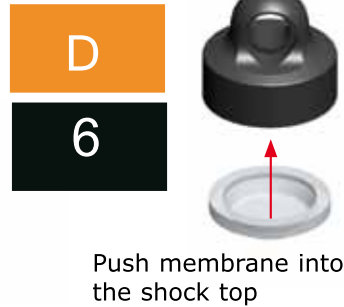
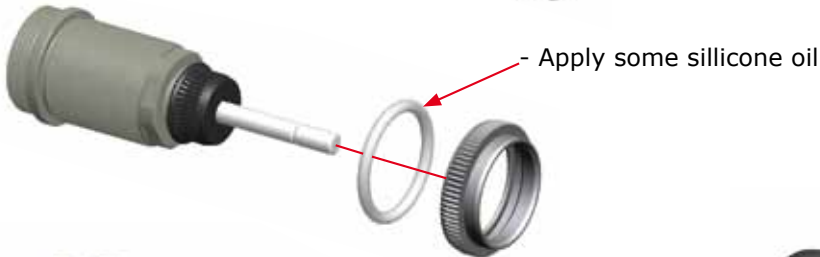
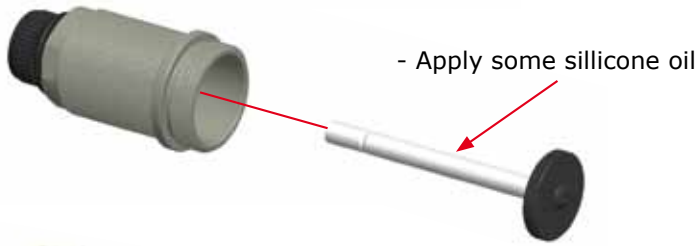
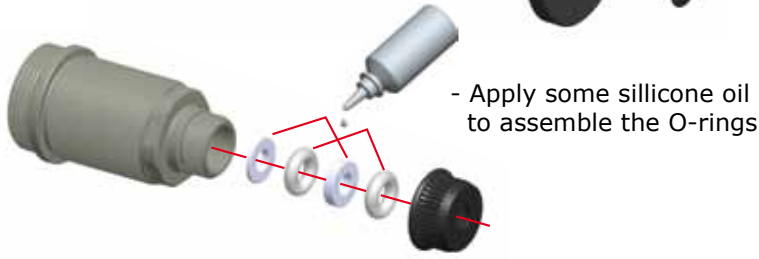
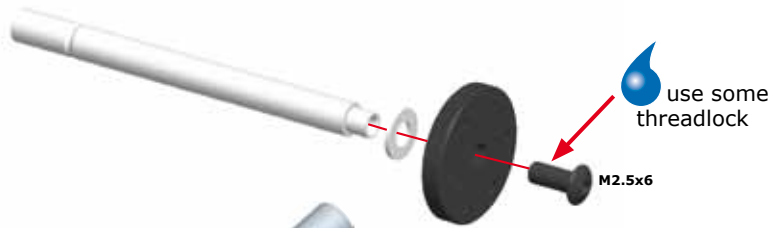
D

7

D

9

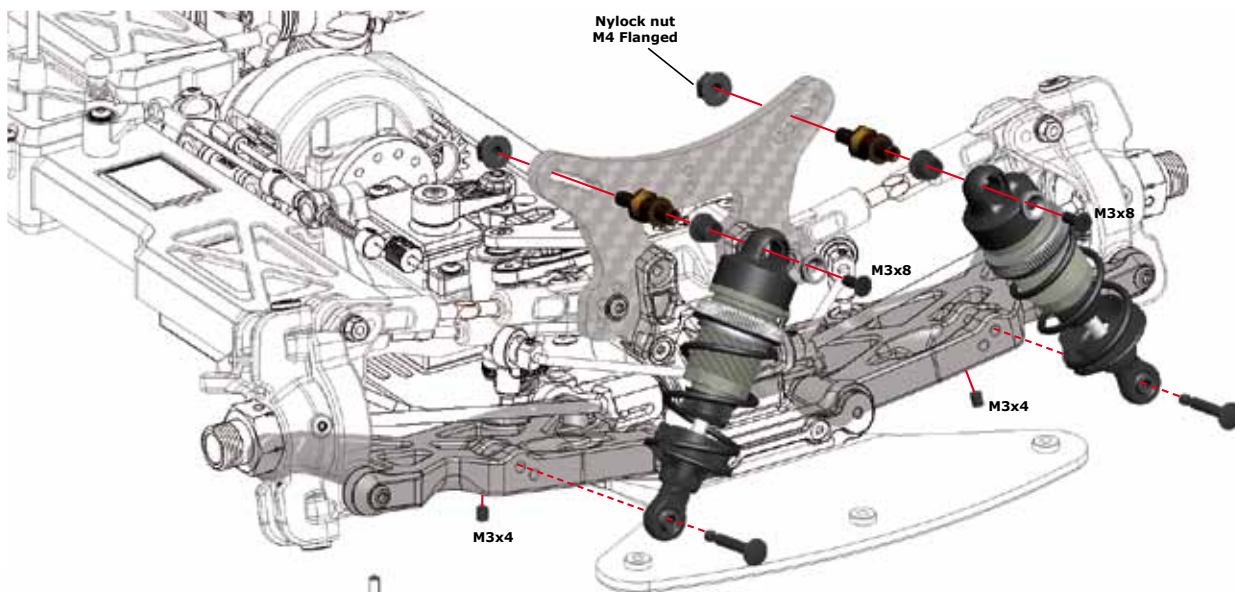
22



D

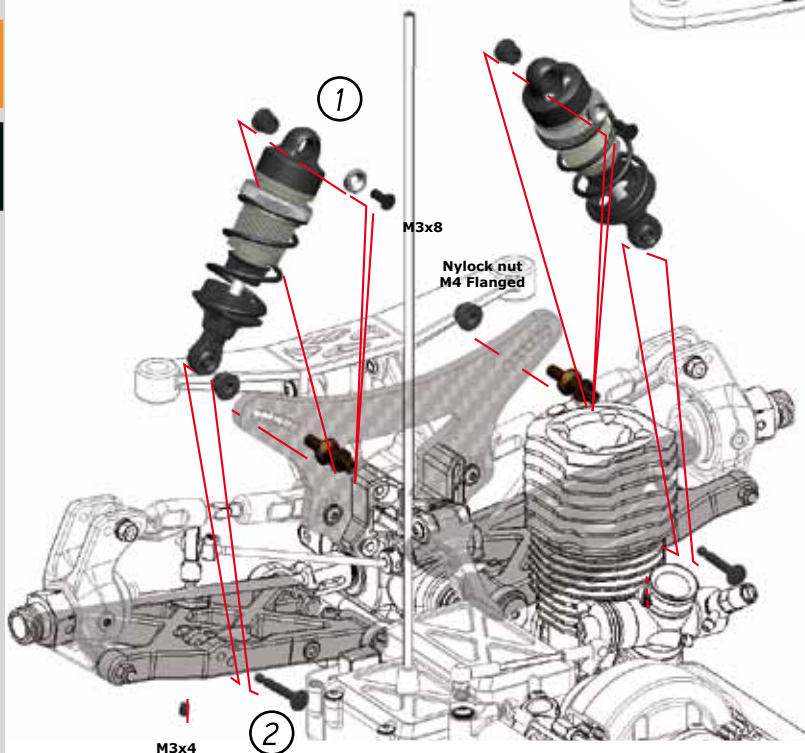
SCHOCK MOUNTING

10



D

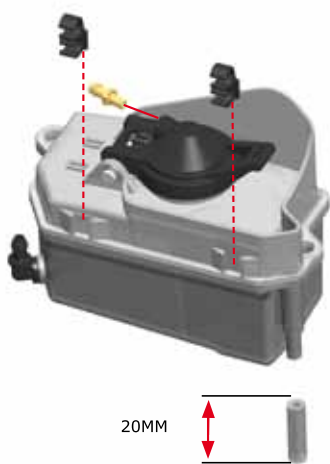
11



D

12

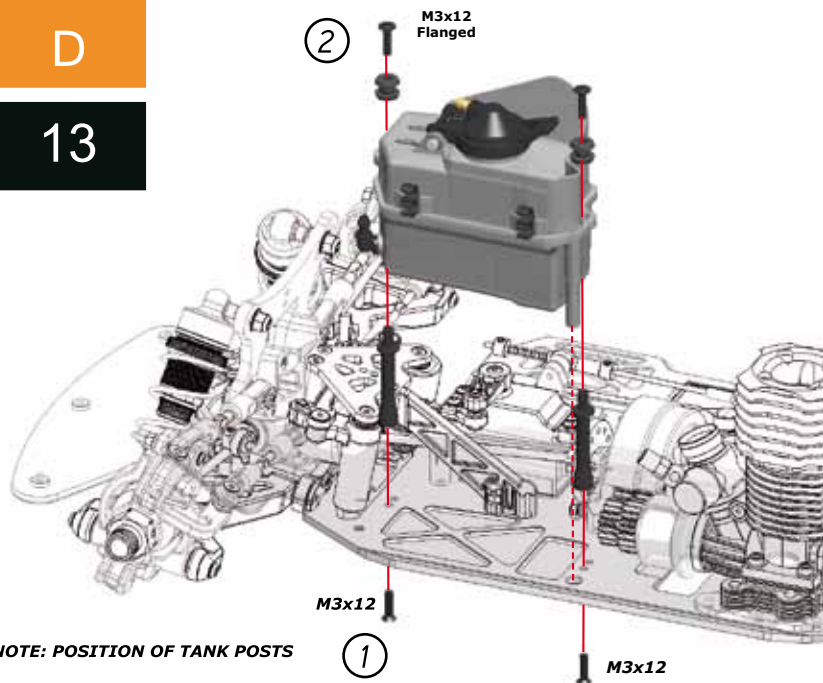
BAG 11



20MM

D

13



NOTE: POSITION OF TANK POSTS

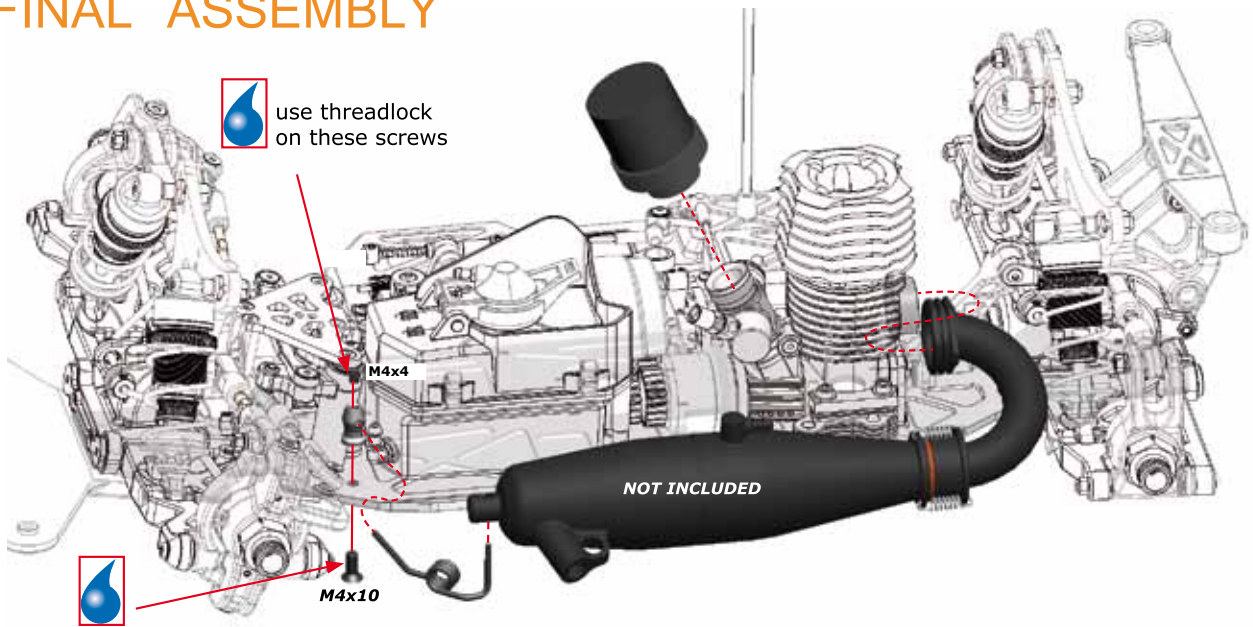


23

E

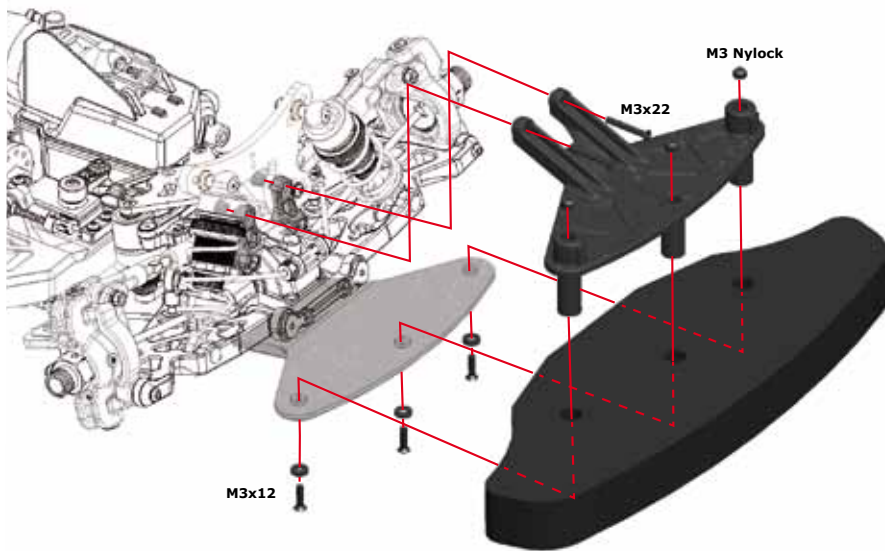
FINAL ASSEMBLY

1



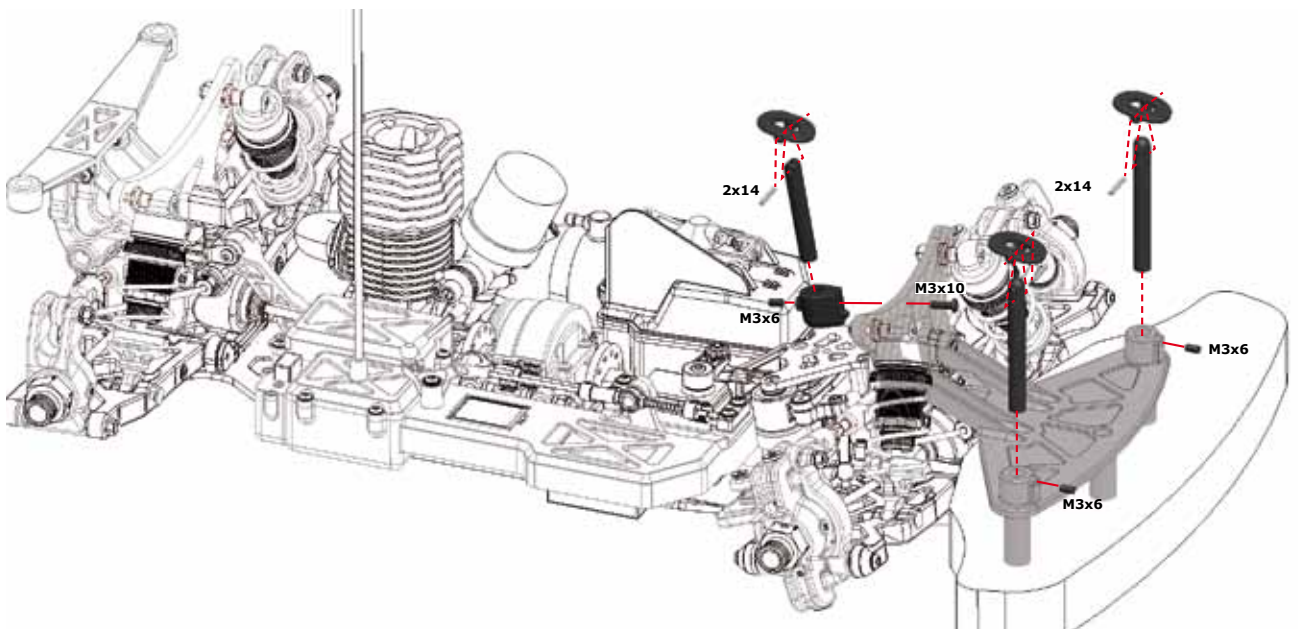
E

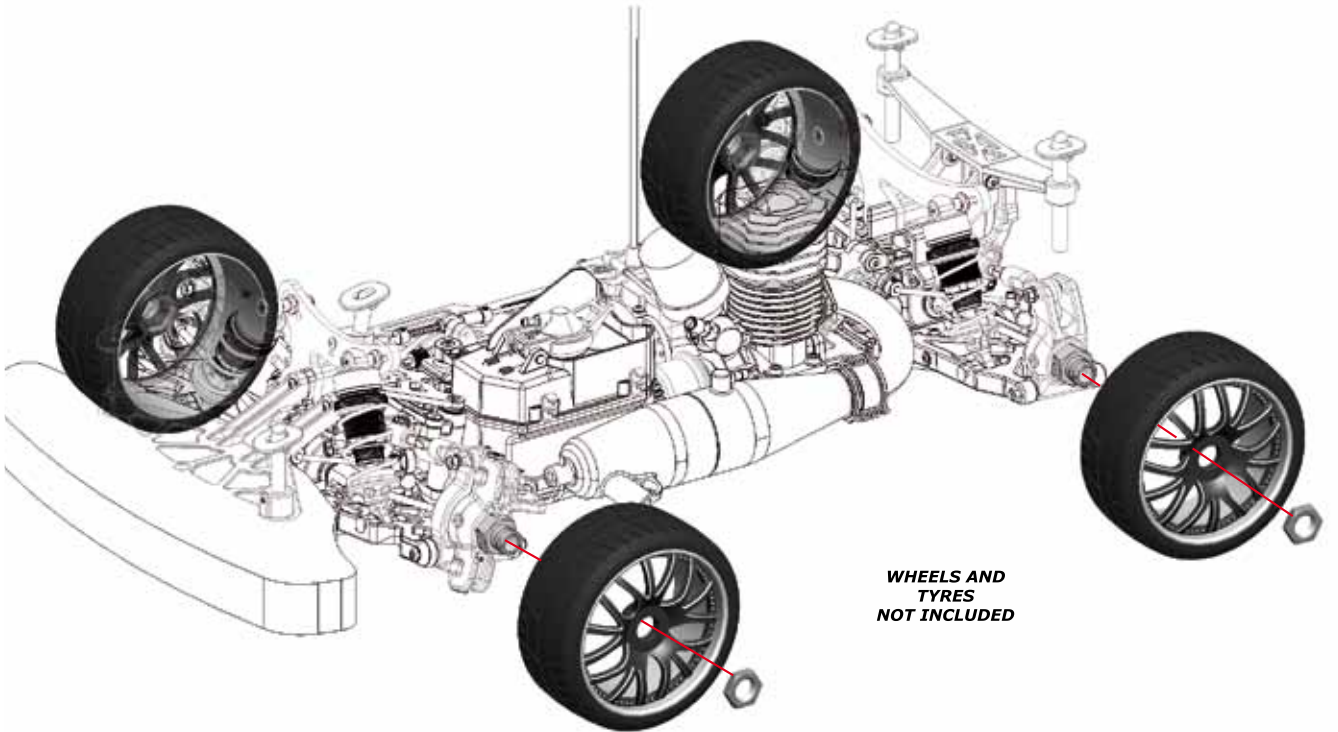
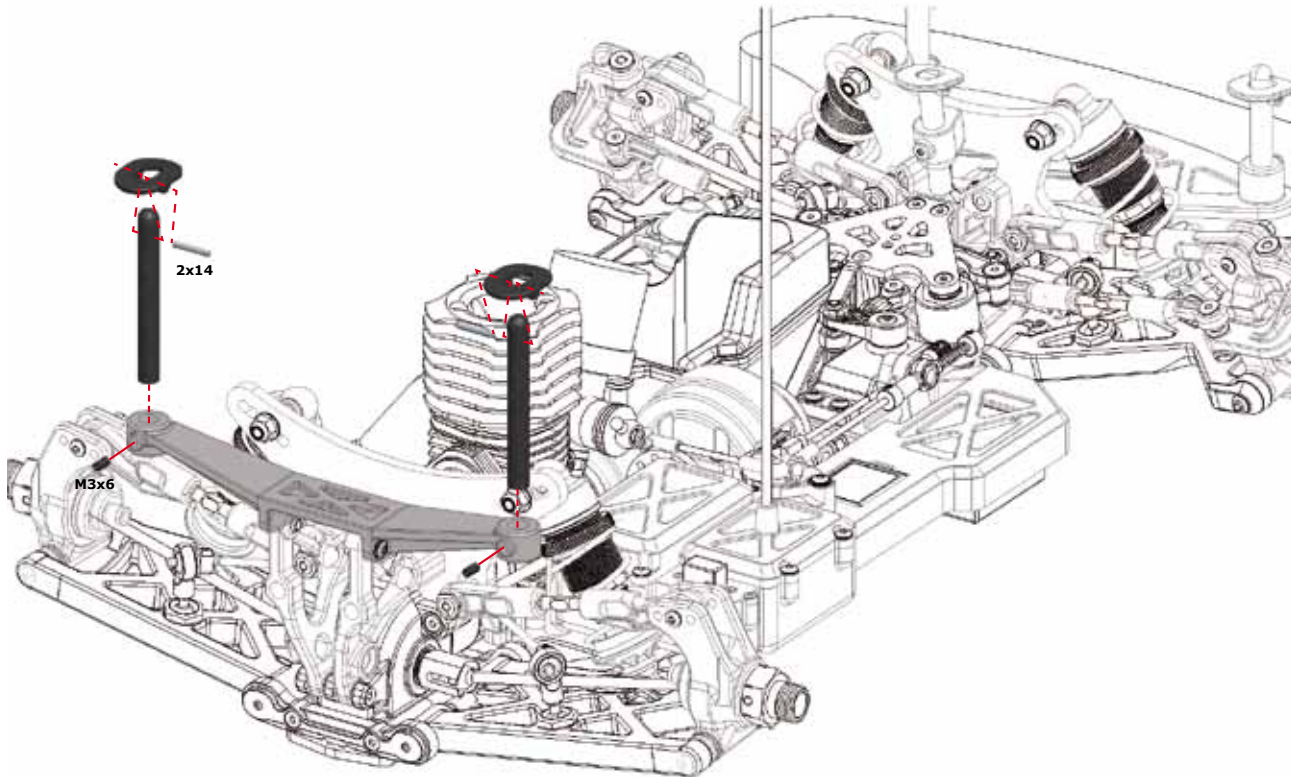
2



E

3







PARTS LIST/REF GUIDE

Description
600040 Serpent 811 Cobra GT

Manual & Decals
1887 Decal Serpent black/white 1/8 (2)
1889 Decal Serpent chrome 1/8 (2)
600610 Decal sheet S811 GT black and white (2)
600618 Manual S811 GT

Ball Bearings
1312 Ballbearing 5x8 flanged SS (2)
1311 Ballbearing 5x8x2 (2)
1315 Ballbearing 5x10x4 SS (2)
1321 Ballbearing 6x10x3 SS (2)
1337 Ballbearing 15x21x4 SS (2)
1393 Ballbearing 13X19X4 SS (2)
1394 Ballbearing 8x14x4 flanged SS (2)
1395 Ballbearing 8x19x6 SS (2)
1396 Ballbearing 8x16x5 SS (2)
600616 Bearingsset 811 V2 (26)
600617 Bearingsset 811 V2 small (12)

Radio Installation / Battery
1606 Antenna rod black (2)
1639 Collar alu + setscrew (4)
600121 Brake levers / adjusters
600127 Throttle / steering lever set
600131 Balljoint set (19)
600157 Collar double (2)
600207 Rod steering servo 26mm
600333 Brake / Throttle links (2)
600358 Radiobox V2 (3)
600359 Servo lever / mounts V2 (30)
600360 Throttle lever shaft (1)
600361 Throttle balls (2+1)
600362 Collar set V2 (3)
600363 Throttle rod V2 (1)
804181 Throttle spring (2)
600500 Servo spacers (8)

Optionals
600272 Steering servo rod titanium
600290 Servo lever steering 23T alu
600291 Servo lever steering 24T alu
600292 Servo lever steering 25T alu
600293 Servo lever throttle 23T alu
600294 Servo lever throttle 24T alu
600295 Servo lever throttle 25T alu

Servo Saver & Steering
600105 Servosaver spring
600109 O-ring servosaver nut (4)
600128 Servo saver set nylon (3)
600131 Balljoint set (19)
600153 Topdeck front carbon
600167 Steering rack mount
600169 Servosaver adjust nut
600170 Servosaver shaft outer
600173 Steering rack option 3
600182 Bolt steering rack (2)
600191 Pivotball 6mm steering (4)
600199 Servosaver post (2)
600207 Rod steering servo 26mm
600227 Pivot ball steering rod (2)
600334 Spacer steering post (2)

Optionals
600171 Steering rack option 1
600172 Steering rack option 2
600272 Steering servo rod titanium

600278 Servo saver post alu (2)
600296 Servosaver alu coated (3)
600330 Servo saver spring hard

Fuel tank and parts
1493 Pressure nipple m3 (4)
1494 Silicone tubing 2x5x50 white
600115 Tank mounting rubber (4)
600116 O-ring tank (4)
600117 Tank cap seal silicone (2)
600123 Clip /plug set for fuel tube (6)
600411 Tank 150cc with filter
600335 Post fuel tank (2)

Shock Absorbers
600111 Shock membrane (10)
600112 O-ring shock bottom (10)
600113 O-ring shock nut (10)
600118 Shock part frame nylon (10)
600145 Shock pistons (4x4)
600158 Adjust nut shock / oring (2)
600159 Shock top alu black (2)
600179 Shock mount (2)
600180 Washer shock shaft (4)
600184 Pivotball 6.75 double (4)
600234 Shock cartridge stepped (4)
600235 Shock cartridge (4)
600319 Shock revision set (20)
600591 Shock body alu 811GT (2)
600592 Shock shaft 811GT (2)
600595 Shockset fr/rr 811GT (2)

Optionals
600282 Shock bushing delrin (4)
600287 Shock spring support alu (4)
600347 Shock top 7075 hard anodized (2)
600349 Shock pistons conical 6 hole (4)
600350 Shock pistons conical 8 hole (4)
600351 Shock pistons conical 10 hole (4)
600357 Membrane webbed silicone (4)
600488 Shock piston square 8 hole (4)

Shock Springs
600597 Spring Fr/Rr Red 811GT 18lbs (2)
600598 Spring Fr/Rr Purple 811GT 21lbs (2)
600599 Spring Fr/Rr Yellow 811GT 29lbs (2)
600600 Spring Fr/Rr White 811GT 31,5lbs (2)
600601 Spring Fr/Rr Silver 811GT 34,5lbs (2)
600602 Spring Fr/Rr Black 811GT 37lbs (2)

Chassis / bumper / bodymounts
1667 Body-clip medium (10)
600122 Brace front / rear nylon
600581 Body post front 811GT (3)
600582 Bumper 811GT
600583 Bodymount rear 811GT
600585 Chassis alu 811GT
600614 Foam bumper 811GT
Optionals
600288 Chassis brace front alu
600289 Chassis brace rear alu

Front Section
600101 Wheelaxle clip (4)
600102 Driveshaft 98mm (2)
600108 Hingepin (2)
600126 Washer/nut nylon M3 (12+15)
600129 Diff case front set
600131 Balljoint set (19)

600132 Suspension bracket inserts (30)
 600135 Wishbone front L+R
 600153 Topdeck front carbon
 600167 Steeringrack mount
 600168 Camberlink pivotball (4)
 600174 Antirollbar nut (2)
 600176 Suspension bracket alu FR RR std
 600177 Suspension bracket alu FR FR std
 600178 Shim conical M3x7.5x1 (10)
 600182 Bolt steeringrack (2)
 600183 Bushing suspensionarm (4)
 600185 Pivotball 7.5 double (4)
 600186 Track rod M4x51 (2)
 600187 Track rod M5x46 (2)
 600190 Pin steeringblock (4)
 600192 Pivotball antirollbar (2)
 600193 Pivotball threaded antirollbar (2)
 600197 Driveshaft insert (2)
 600222 Wheelnut 17mm (4)
 600224 Bolt shock (4)
 600225 Droop screw (4)
 600241 Antiroll bar front 2.5mm
 600326 Special screw fr wishbone (4)
 600365 Spacers 1.25mm + 2.5mm wheelbase (4+2)
 600373 C-Hub truggy 12 L+R
 600381 Gear coupler rubber boot (2)
 600472 Gear coupler V3
 600473 Gear coupler sleeve (2)
 600478 Wheelaxle FR V2 (2)
 600481 Steeringblock L+R V2
 600495 Diff pinion 13T
 600499 Pivotball double straight (3)
 600501 Complete FR/RR 44T diff
 600503 Steeringblock-wheelaxle set 811 V2
 600581 Body post front 811GT (3)
 600584 Wheelhexacon 811GT (2)
 600612 Shocktower carbon fr 811GT
 903343 Antirollbar spacer 3mm (2)

Optionals

600240 Antiroll bar front 2.3mm
 600242 Antiroll bar front 2.7mm
 600263 Washer M3 alu (12)
 600269 Track rod M5x46 titanium (2)
 600271 Track rod M4x51 titanium (2)
 600273 Shock mount titanium (2)
 600274 Wheelhexagon light -2mm (2)
 600275 Wheelhexagon light -1mm (2)
 600276 Wheelhexagon light -0mm (2)
 600297 Lightweight wheel nut 17mm (4)
 600309 Antiroll bar shaft FR
 600311 Antiroll bar wire 1.8mm (2)
 600312 Antiroll bar wire 2.0mm (2)
 600313 Antiroll bar wire 2.1mm (2)
 600314 Antiroll bar wire 2.3mm (2)
 600315 Antiroll bar wire 2.5mm (2)
 600316 Antiroll bar wire 2.7mm (2)
 600336 Antiroll bar front 1.8mm
 600337 Antiroll bar front 2.0mm
 600343 Bushing / spacer Steering block alu (8)
 600374 C-hub truggy 14 L+R alu
 600484 Antirollbar spacer alu (2)
 600485 Pivotball anti roll bar (2)
 600486 Bushing suspension arm fr alu (4)
 600487 Bolt shock titanium (4)
 600490 Hingepin fr / rr TiN coated (2)
 600497 Steeringblock L+R V2 alu
 600498 Delrin sleeve for alu upright/steeringblock (2)
 600492 Wheelhexagon light +1mm /nut/pin (2)
 600493 Wheelhexagon light +2mm /nut/pin (2)
 600494 Wheelhexagon light +3mm /nut/pin (2)

Middle Section

600100 Exhaust mounting wire (2)
 600102 Driveshaft 98mm (2)
 600103 Driveshaft center front
 600119 Center diff holder parts (3)

600131 Balljoint set (19)
 600148 Diskbrake front fibreglass
 600149 Diskbrake rear fibreglass
 600164 Brake excenter (2)
 600165 Brake lever insert (2)
 600166 Exhaust mount alu
 600197 Driveshaft insert (2)
 600203 Brake plate (4)
 600208 Brake spring (4)
 600226 Brake piston solid (2)
 600369 Brake plate thick (2)
 600381 Gear coupler rubber boot (2)
 600472 Gear coupler V3
 600473 Gear coupler sleeve (2)
 600588 Enginemount alu 811GT
 600615 2-speed gear cover 811GT

Optionals

600236 Airfilter boot
 600243 Airfilter + foam
 600281 Brake piston /spring (2/2/2)
 600286 Center diff holder alu (2)
 600340 Airfilter foam set inner-outer (6)
 600341 Airfilter foam set inner-outer (10)
 600345 Brake set pro
 600346 Brake pad Pro (2)

Rear Section

600101 Wheelaxle clip (4)
 600103 Driveshaft center front
 600108 Hingepin (2)
 600126 Washer/nut nylon M3 (12+15)
 600130 Diff case rear set
 600131 Balljoint set (19)
 600132 Suspension bracket inserts (30)
 600134 Wishbone rear L+R
 600155 Suspension bracket RR RR 3
 600156 Suspension bracket RR FR 2
 600168 Camberlink pivotball (4)
 600174 Antirollbar nut (2)
 600178 Shim conical M3x7.5x1 (10)
 600185 Pivotball 7.5 double (4)
 600188 Track rod M5x53 (2)
 600189 Hingepin RR outer (2)
 600192 Pivotball antirollbar (2)
 600193 Pivotball threaded antirollbar (2)
 600197 Driveshaft insert (2)
 600222 Wheelnut 17mm (4)
 600224 Bolt shock (4)
 600225 Droop screw (4)
 600237 Antiroll bar rear 2.3mm
 600365 Spacers 1,25mm + 2,5mm for wheelbase (4+2)
 600365 Spacers 1.25mm + 2.5mm wheelbase (4+2)
 600381 Gear coupler rubber boot (2)
 600418 Upright truggy L+R
 600472 Gear coupler V3
 600473 Gear coupler sleeve (2)
 600474 Wheelaxle RR V2 (2)
 600475 Wheelaxle boot RR (2)
 600477 Driveshaft RR V2 (2)
 600495 Diff pinion 13T
 600499 Pivotball double straight (3)
 600501 Complete FR/RR 44T diff
 600583 Bodymount rear 811GT
 600584 Wheelhexacon 811GT (2)
 600613 Shocktower carbon rr 811GT
 903343 Antirollbar spacer 3mm (2)

Optionals

600204 Bolt transmission brace rear (2)
 600223 Wheelhexagon (4)
 600238 Antiroll bar rear 2.5mm
 600239 Antiroll bar rear 2.7mm
 600261 Socket screw M3x8 (6)
 600263 Washer M3 alu (12)
 600265 Suspension bracket RR FR 2.5 - 4.5
 600266 Suspension bracket RR RR 3
 600267 Suspension bracket RR RR LR 3

600270 Track rod M5x53 titanium (2)
 600273 Shock mount titanium (2)
 600274 Wheelhexagon light -2mm (2)
 600275 Wheelhexagon light -1mm (2)
 600276 Wheelhexagon light -0mm (2)
 600297 Lightweight wheel nut 17mm (4)
 600308 Suspension bracket RR FR 2.5 - 4.5
 600310 Antiroll bar shaft RR
 600311 Antiroll bar wire 1.8mm (2)
 600312 Antiroll bar wire 2mm (2)
 600313 Antiroll bar wire 2.1mm (2)
 600314 Antiroll bar wire 2.3mm (2)
 600315 Antiroll bar wire 2.5mm (2)
 600316 Antiroll bar wire 2.7mm (2)
 600338 Antiroll bar rear 1.8mm
 600339 Antiroll bar rear 2.0mm
 600434 Antiroll bar rear 2.4mm
 600484 Antirollbar spacer alu (2)
 600485 Pivotball anti roll bar (2)
 600487 Bolt shock titanium (4)
 600490 Hingepin fr / rr TiN coated (2)
 600491 Hingepin rr outer TiN coated (2)
 600492 Wheelhexagon light +1mm /nut/pin (2)
 600493 Wheelhexagon light +2mm /nut/pin (2)
 600494 Wheelhexagon light +3mm /nut/pin (2)
 600498 Delrin sleeve for alu upright/steeringblock (2)

Transmission

6626 2-speed spring (2)
 600590 Outdrives 2-speed center 811GT (2)
 600593 Shaft 2-speed 811GT
 600594 Adaptor 2-speed 811GT
 902416 Shoe-set 2-speed lc
 903362 Gearbox housing SL8
 903363 Gearbox drive flange SL8
 903365 2-Speed gearbox spacer (3)
 903372 2-Speed gear 49T SL8
 903375 2-Speed gear 45T SL8
 909555 Centax gear-pinion alu 15T
 909559 Centax gear-pinion alu. 19t

Optionals

903224 Gear-pinion-set centax-2
 903370 2-Speed gear set SL8 (6)
 903371 2-Speed gear 48T SL8
 903373 2-Speed gear 50T SL8
 903374 2-Speed gear 44T SL8
 903376 2-Speed gear 46T SL8
 909556 Centax gear-pinion alu 16T
 909557 Centax gear-pinion alu. 17t
 909558 Centax gear-pinion alu. 18t
 909560 Centax gear-pinion alu. 20t

Clutch

600206 Clutch nut (2)
 600228 Clutch shoe carbon (4)
 600230 Clutch spring medium (4)
 909519 shim centax 5x08x0.1(2)x0.3(1)
 600262 Clutch screw (4)
 600589 Flywheel 811GT
 600596 Clutch set 811GT
 600586 Clutchbell 2-speed 811GT
 600587 Crankshaft extension 811GT

Optionals

600229 Clutch spring soft (4)
 600232 Clutch spring X hard (4)
 600231 Clutch spring hard (4)
 600233 Clutch spring set (4x4)
 600175 Clutchshoe alu (4)
 600355 Clutch shoe set Alu / Carbon (2+2)

Differential

110431 Shim 8x11x0.2 (10)
 600147 Diff gasket (3)
 600200 Diff outdrive (2)
 600202 Diff gear 10T + 20T (4+2)
 600205 Shim 13x16x0.2 (10)

600209 Diff pin 10T (2)
 600210 Diff pin outdrive (2)
 600212 Shim 14x15.5x0.65 (10)
 600213 Shim 6x11.75x0.2 (10)
 600214 Shim 3.5x12x0.2 (10)
 600215 Shim 8x11x0.2 (10)
 600323 Diff Fr / Rr
 600325 Diff uni
 600354 Shim 14x15.5x 0.65 (4)
 600356 Shim 14x15.5x0.2 (10)
 600421 Oring centerdiff V2 (10)
 600425 Diff housing V2
 600472 Gear coupler V3
 600473 Gear coupler sleeve (2)
 600495 Diff pinion 13T
 600480 Diff gear 44T
 600381 Gear coupler rubber boot (2)
 Optionals
 600283 Diff pin 10T alu (2)

Fasteners

110100 Screw allen countersunk m3x10 (10)
 110101 Screw allen countersunk m4x8 (10)
 110102 Screw allen countersunk m4x10 (10)
 110103 Screw allen countersunk m4x16 (10)
 110104 Screw allen countersunk M3x8 (10)
 110105 Screw allen countersunk m4x12 (10)
 110106 Screw allen flanged roundhead m5x12 (10)
 110107 Screw allen cilinderhead m3x16 (10)
 110108 Screw allen roundhead m3x6 (10)
 110109 Screw allen roundhead m3x10 (10)
 110110 Screw allen roundhead m3x16 (10)
 110111 Screw allen roundhead m3x14 (10)
 110112 Screw allen roundhead m3x12 (10)
 110113 Screw allen roundhead m4x8 (10)
 110114 Setscrew allen m3x8 (10)
 110115 Setscrew allen m3x4 (10)
 110116 Setscrew allen m3x3 (10)
 110117 Setscrew allen m3x12 (10)
 110118 Setscrew allen m4x4 (10)
 110119 Setscrew allen m4x6 (10)
 110120 Setscrew allen m4x10 (10)
 110121 Setscrew allen m5x6 (10)
 110122 Screw allen countersunk m3x6 (10)
 110123 Screw philips roundhead 3.5x13 (10)
 110124 Screw allen countersunk m3x8 (10)
 110125 Screw allen countersunk m3x20 (10)
 110126 Screw allen countersunk m2.5x12 (10)
 110127 Screw allen countersunk m3x12 (10)
 110128 Screw allen roundhead m3x5 (10)
 110129 Screw allen cilinderhead m3x10 (10)
 110130 Screw allen roundhead m2.5x6 (10)
 110131 Screw allen roundhead m2.5x10 (10)
 110132 Screw allen countersunk m3x16 (10)
 110133 Screw philipshead countersunk 2.5x8 wide (10)
 110134 Screw philipshead countersunk 2.5x10 wide (10)
 110135 Screw allen countersunk M2.5x10 (10)
 110136 Screw allen countersunk M2.5x8 (10)
 110137 Setscrew allen M3x6 (10)
 110138 Screw allen countersunk M4x14 (10)
 110139 Screw allen countersunk M3x40 (10)
 110140 Screw allen roundhead M3x20 (10)
 110141 Screw allen roundhead M3x22 (10)
 110142 Screw allen roundhead M3x25 (10)
 110143 Screw allen roundhead M4x18 (10)
 110144 Screw allen roundhead M3x18 (10)
 110145 Screw allen roundhead flanged M3x12 (10)
 110146 Screw allen roundhead flanged M3x16 (10)
 110147 Screw ph roundhead widethread 2.5x5 (10)
 110148 Setscrew allen M5x4 (10)
 110149 Screw allen countersink M2x10 (10)
 110150 Screw M6x12 nylon black (2)
 110151 Screw allen cilinderhead M4x10 (10)
 110152 Screw allen cilinderhead M3x8 (10)
 110153 Screw allen roundhead M2.3x6 (10)
 110154 Setscrew allen M3x10 (10)

110155 Setscrew allen M3x5 (10)
 110156 Screw allen countersunk M2.2x6 (10)
 110157 Screw allen countersunk M3x5 (10)
 110158 Screw allen countersunk M3x15 (10)
 110159 Screw allen countersunk M3x18 (10)
 110160 Screw allen cilinderhead M2.2x12 (10)
 110161 Screw allen cilinderhead M2x6 (10)
 110162 Setscrew allen M3x2.5 (10)
 110163 Setscrew allen M3x2 (10)
 110164 Screw allen roundhead M3x4 (10)
 110165 Screw allen cilinderhead M2x5 (10)
 110166 Screw allen countersunk M2.5x5 (10)
 110167 Screw allen roundhead flanged M3x18 (10)
 110168 Screw allen roundhead flanged M3,5x10 (10)
 110169 Screw allen roundhead flanged M4x10 (10)
 110170 Screw allen roundhead flanged M3x28 (10)
 110171 Screw ph countersunk widethread 2.5x15 (10)
 110172 Screw allen roundhead flanged M3X6 (10)
 110173 Screw ph countersunk widethread 2.5x12 (10)
 110174 Screw allen countersunk M4x6 (10)
 110200 Pin 2.5x8 (10)
 110201 Pin 3x12 (10)
 110202 Pin 5x5 (10)
 110203 Pin 3x14 (10)
 110204 Pin 3x20 (10)
 110205 Pin 3x22 (10)
 110206 Pin 2.5x22 (10)
 110207 Pin 2.5x12 (10)
 110208 Pin nra 2x9.8 (4)
 110209 Pin nra 2x18 (4)
 110210 Pin 3x13 (10)
 110211 Pin 2.5x13 (10)
 110212 Pin 2.5x17 (10)
 110213 Pin 2.5x10 (10)
 110214 Pin 3x15 (10)
 110215 Pin 2x12 (10)
 110216 Pin 2.5x15 (10)
 110217 Pin 2x9 (10)
 110218 Pin 3x10 (10)
 110300 E-clip 2.3 (10)
 110301 E-clip 3.2 (10)
 110302 E-clip 4.0 (10)
 110303 E-clip 5.0 (10)
 110304 E-clip 7.0 (10)
 110305 Seger clip 12x1.0 (10)
 110306 E-clip 6.0 (10)
 110400 Shim 6.0x10x0.2 (10)
 110401 Shim 3.2x7x0.5 (10)
 110402 Nut nylock M3 (10)
 110403 Nut nylock M4 (10)
 110404 Shim 6x8x0.3 (10)
 110405 Nut nylock M4 flanged (10)
 110406 Nut nylock M2.2 (10)
 110407 Nut M3 (10)
 110408 Shim 3x5x0.3 (10)
 110409 Shim 3x5x1 (10)
 110410 Shim 3x5x2 (10)
 110411 Shim 3x5x4 (10)
 110412 Shim 3.5x8x1 (10)
 110413 Shim 3.5x12x0.2 (10)
 110414 Shim 3x6x0.1 (10)
 110415 Shim 3x6x0.5 (10)
 110416 Shim 3x6x0.8 (10)
 110417 Shim 3x6x3 (10)
 110418 Shim 4x8x0.1 (10)
 110419 Shim 4x9.5x1 (10)
 110420 Shim 4x9.5x2(10)
 110421 Shim 4x9.5x4(10)
 110422 Shim 4x10x0.3 (10)
 110423 Shim 5x8x0.1 (10)
 110424 Shim 5x8x0.3 (10)
 110425 Shim 5x10x0.3 (10)
 110426 Shim 5x10x0.5 (10)
 110427 Shim 5x15x0.3 (10)
 110428 Shim 6.5x8x0.25 (10)
 110429 Shim 6x11.75x0.2 (10)

110430 Shim 6x12x0.5 (10)
 110431 Shim 8x11x0.1 (10)
 110432 Shim 8x11x0.2 (10)
 110433 Shim 12x15x0.25 (10)
 110434 Shim 12x18x0.3 (10)
 110435 Shim 13x16x0.2 (10)
 110436 Shim 3x5x3 (10)
 110437 Nut M2.5 (10)
 110438 Shim 2,5x6x0,5 (10)
 110439 Shim 3x7,5x1 (10)
 110440 Shim 2,5x5x0,4 (10)
 110441 Nut nylock M3 flanged (10)
 110442 Shim 4x8x0.6 (10)

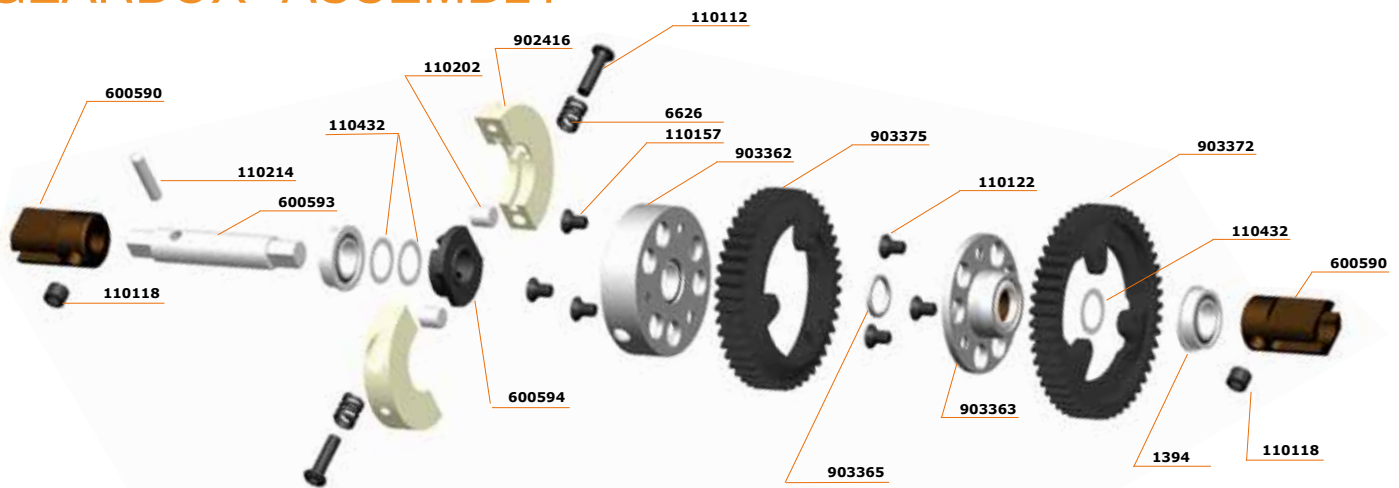
Merchandising

1891 Serpent medium promo decal 20x12.5 (2)
 1893 Serpent decal xL (30x60cm)
 1998 Cap serpent black-orange
 1869 Pit-towel serpent orange 140x60cm
 1872 Rucksack serpent (35x45cm) black
 1873 Rucksack serpent (48x61cm) black
 1883 Banner Serpent S-logo 200x100 nylon
 190110 Sweater hooded serpent black (s)
 190111 Sweater hooded serpent black (m)
 190112 Sweater hooded serpent black (l)
 190113 Sweater hooded serpent black (xl)
 190114 Sweater hooded serpent black (xxl)
 190116 T-shirt lady black Serpent (S)
 190117 T-shirt lady black Serpent (M)
 190118 T-shirt lady black Serpent (L)
 190119 T-shirt lady black Serpent (xL)
 190121 T-shirt Serpent LTS white (S)
 190122 T-shirt Serpent LTS white (M)
 190123 T-shirt Serpent LTS white (L)
 190124 T-shirt Serpent LTS white (xL)
 190125 T-shirt Serpent LTS white (xxL)
 190127 T-shirt Serpent DTR orange (S)
 190128 T-shirt Serpent DTR orange (M)
 190129 T-shirt Serpent DTR orange (L)
 190130 T-shirt Serpent DTR orange (xL)
 190131 T-shirt Serpent DTR orange (xxL)
 190132 T-shirt Serpent DTR black (S)
 190133 T-shirt Serpent DTR black (M)
 190134 T-shirt Serpent DTR black (L)
 190135 T-shirt Serpent DTR black (xL)
 190136 T-shirt Serpent DTR black (xxL)
 190150 Dress shirt Serpent black-orange (S)
 190151 Dress shirt Serpent black-orange (M)
 190152 Dress shirt Serpent black-orange (L)
 190153 Dress shirt Serpent black-orange (XL)
 190154 Dress shirt Serpent black-orange (XXL)
 190155 Dress shirt Serpent black-orange (XXXL)
 190156 Polo shirt Serpent black-orange (S)
 190157 Polo shirt Serpent black-orange (M)
 190158 Polo shirt Serpent black-orange (L)
 190159 Polo shirt Serpent black-orange (XL)
 190160 Polo shirt Serpent black-orange (XXL)
 190161 Polo shirt Serpent black-orange (XXXL)
 190167 T-shirt Serpent LTS black (S)
 190168 T-shirt Serpent LTS black (M)
 190169 T-shirt Serpent LTS black (L)
 190170 T-shirt Serpent LTS black (xL)
 190171 T-shirt Serpent LTS black (xxL)
 190172 Winter jacket Serpent (S)
 190173 Winter jacket Serpent (M)
 190174 Winter jacket Serpent (L)
 190175 Winter jacket Serpent (xL)
 190176 Winter jacket Serpent (xxL)
 190177 T-shirt Serpent LTS orange (S)
 190178 T-shirt Serpent LTS orange (M)
 190179 T-shirt Serpent LTS orange (L)
 190180 T-shirt Serpent LTS orange (xL)
 190181 T-shirt Serpent LTS orange (xxL)

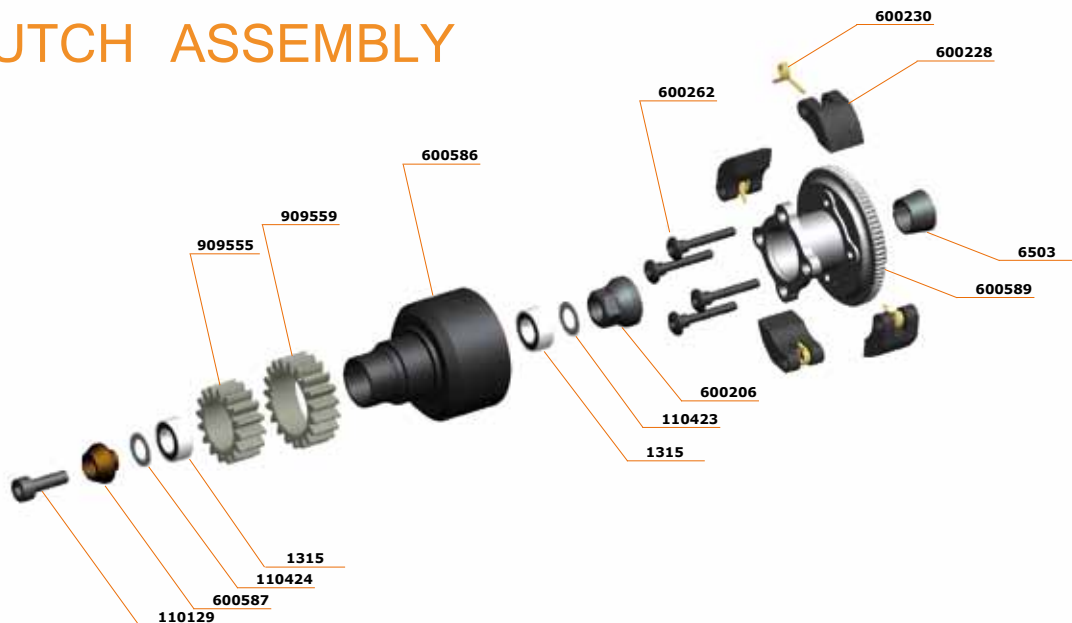
GEARDIFF ASSEMBLY



GEARBOX ASSEMBLY



CLUTCH ASSEMBLY



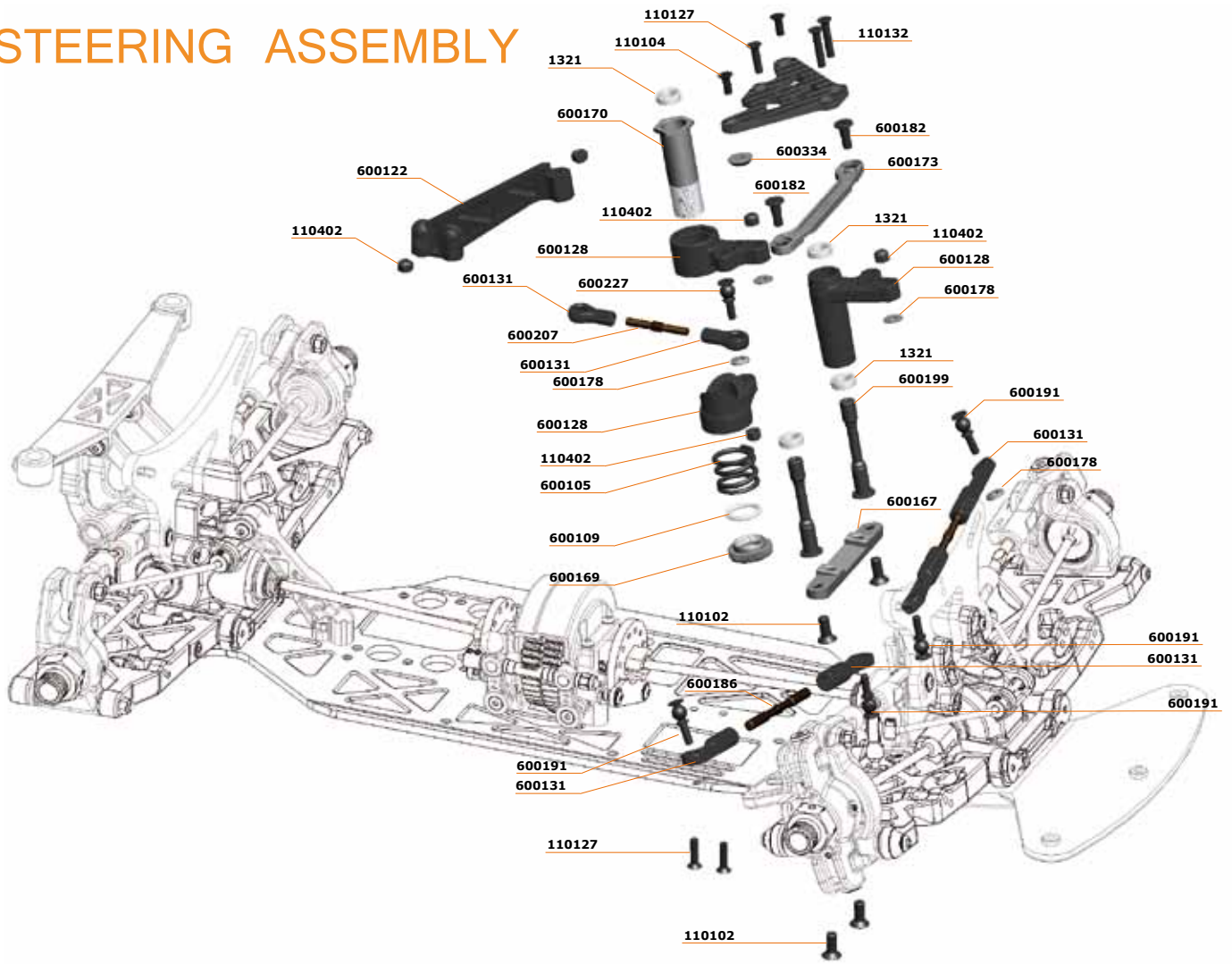
REAR ASSEMBLY



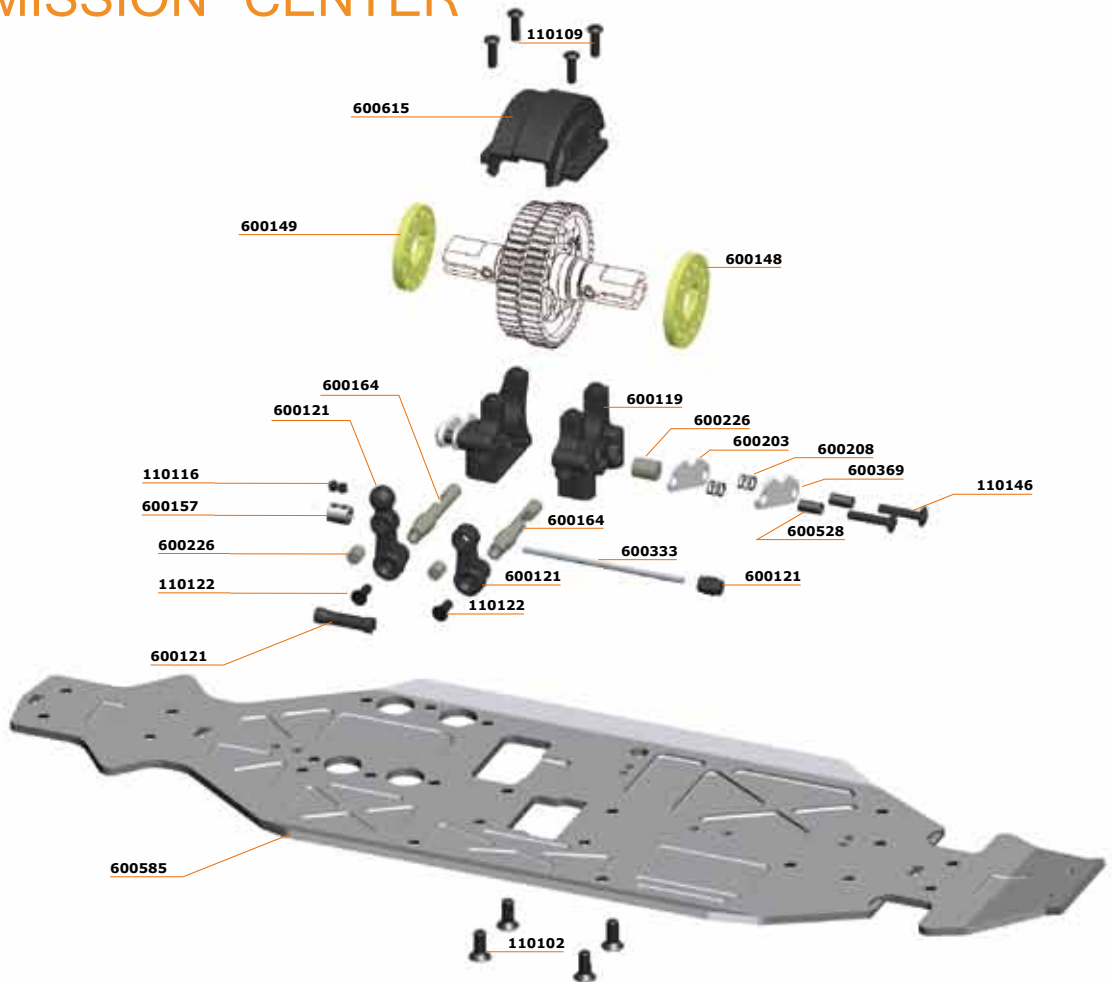
FRONT ASSEMBLY



STEERING ASSEMBLY



TRANSMISSION CENTER



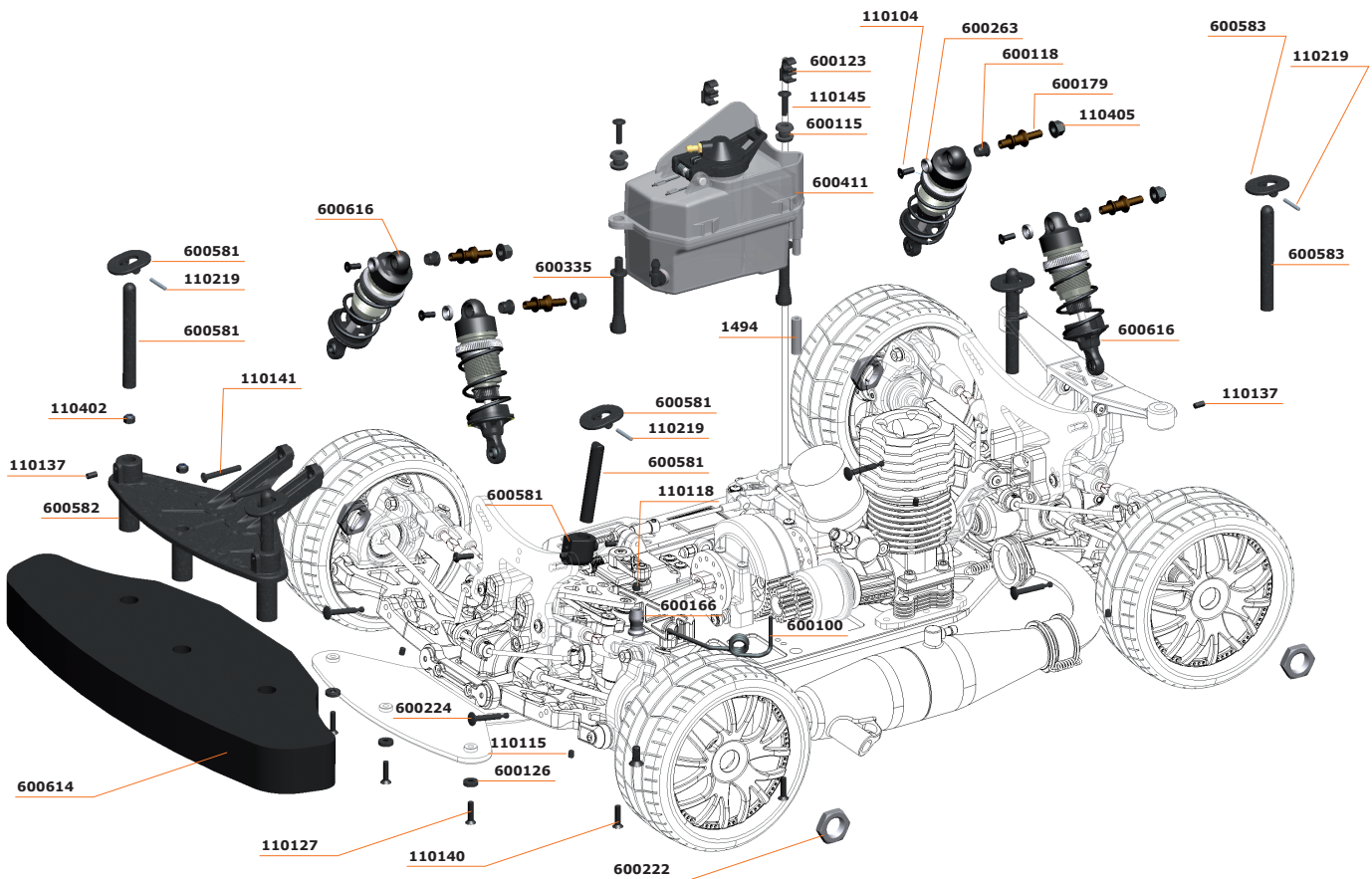
RADIO ASSEMBLY



SHOCK ASSEMBLY



FINAL ASSEMBLY



Cobra **GT**



www.serpent.com
info@serpent.com

